

# **shindaiwa<sup>®</sup>**

## **Operator's Manual RS850/S Broadcast Spreader**

X7507840500

---

© 3/22 ECHO Incorporated

---

# INTRODUCTION

---

Specifications, descriptions, and illustrative material in this literature are as accurate as possible. Specifications are subject to change without notice. Illustrations might include optional equipment and accessories, and might not include all standard equipment. Your equipment might appear slightly different than pictured equipment.



Read and understand all provided literature. Literature contains specifications and information for safety, operation, maintenance, storage, and assembly specific to this product. Scan QR codes for more information.



For additional literature, including safety manuals where applicable, or questions regarding terms used in this manual, visit:

<https://www.echo-usa.com/manuals>

OR



<https://www.shindaiwa-usa.com/manuals>

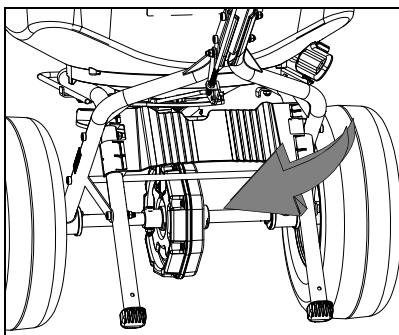
---

## SERVICING INFORMATION

---

### Parts and Serial Number

Genuine Shindaiwa Parts and Assemblies for your Shindaiwa products are available only from an Authorized Shindaiwa Dealer. When you do need to buy parts **always** have the Model Number and Serial Number of the unit with you. For future reference, write them in the space provided below.



Model No. \_\_\_\_\_ Serial No. \_\_\_\_\_

### Service

Service of this product during the warranty period must be performed by an Authorized Shindaiwa Service Dealer. For the name and address of the Authorized Shindaiwa Service Dealer nearest you, ask your retailer or call: 1-877-986-7783. Dealer information is also available on [www.shindaiwa-usa.com](http://www.shindaiwa-usa.com). When presenting your unit for Warranty service/repairs, proof of purchase is required.

### Consumer Product Support

If you require assistance or have questions concerning the application, operation or maintenance of this product you may call the Shindaiwa Consumer Product Support Department at 1-877-986-7783 from 8:00 am to 5:00 pm (Central Standard Time) Monday through Friday. Before calling, please know the model and serial number of your unit.

### Product Registration

To ensure trouble free warranty coverage it is important that you register your Shindaiwa equipment on-line at [www.shindaiwa-usa.com](http://www.shindaiwa-usa.com) or by filling out the product registration sheet included in this manual. Registering your product confirms your warranty coverage and provides a direct link between you and ECHO if we find it necessary to contact you.

### Additional Literature

In addition to finding information online, information is available from your Authorized Shindaiwa Service Dealer, or by contacting ECHO Incorporated, 400 Oakwood Road, Lake Zurich, IL 60047, 1-800-432-ECHO (3246).

---

**SAFETY**

---

**Safety Information** **WARNING**

*Carefully read these instructions before use. Improper use or failure to follow instructions can result in product failure or injuries. For safe use of this product you must read and follow all instructions before using.*

 **WARNING**

**Cancer and Reproductive Harm**  
[www.P65Warnings.ca.gov](http://www.P65Warnings.ca.gov)

 **WARNING**

- ◆ Do not allow anyone to operate the broadcast spreader without proper instructions.
- ◆ Do not permit children to operate the broadcast spreader.
- ◆ Wear all personal protective equipment recommended by chemical manufacturer.
- ◆ Read and follow the chemical label instructions and warnings for handling and applying the chemicals you plan to spread – application settings provided are only a guideline.



- 1 Handles
- 2 Hopper
- 3 Wheels
- 4 Adjustable Deflector
- 5 Upper Control Rod
- 6 Gate Control Lever
- 7 Gate Adjustment Limiter

## CONTENTS

---

The product you purchased has been partially factory pre-assembled for your convenience. Due to packaging restrictions, some assembly may be necessary.

After opening the carton, check for damage. Immediately notify your retailer or Dealer of damaged or missing parts. Use the contents list to check for missing parts.

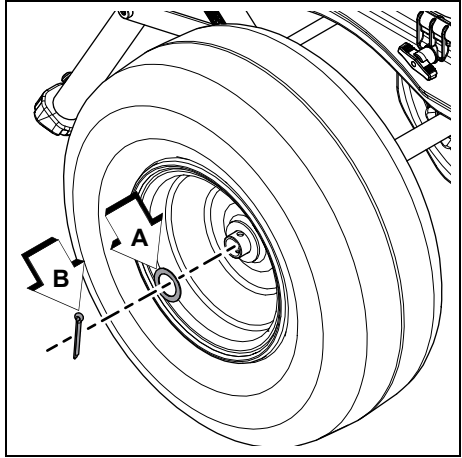
- 1 Hopper Assembly
- 2 Wheels
- 1 Upper Handle Assembly
- 1 Upper Control Rod
- 1 Lower Control Rod
- 1 Hinge Assembly
- 2 5 x 60 Bolts
- 1 5 x 50 Bolt
- 4 Flange nuts
- 1 Hex Nut
- 1 Washer
- 1 Cotter Pin
- 1 Clevis Pin
- 1 Spiked Auger
- 1 Grate
- 1 Hopper Cover
- 1 Rear Deflector
- 1 Operator's Manual

- 1 Warranty Statement

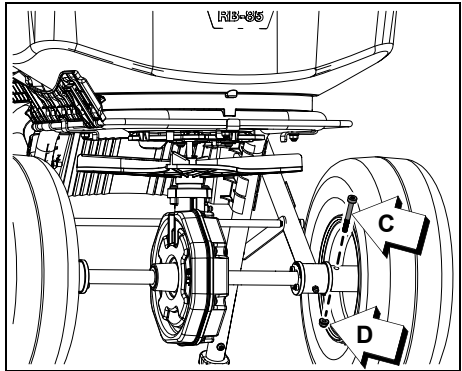
## ASSEMBLY

### Install Wheels and Handle

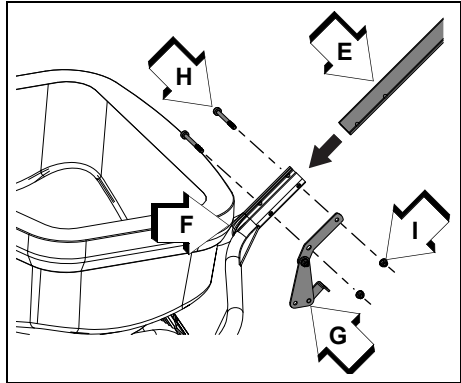
- 1. Install right wheel and secure with washer (A) cotter pin (B).



- 2. Install left wheel and secure with 6 x 50 mm bolt (C) and 6 mm flange nut (D).

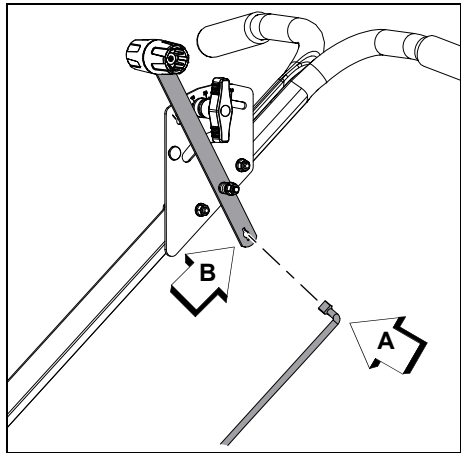


3. Install upper handle assembly (E) into lower handle bracket (F). Attach hinge (G) oriented as shown, and secure with two 6 x 60 mm bolts (H) and two 6 mm flange nuts (I).



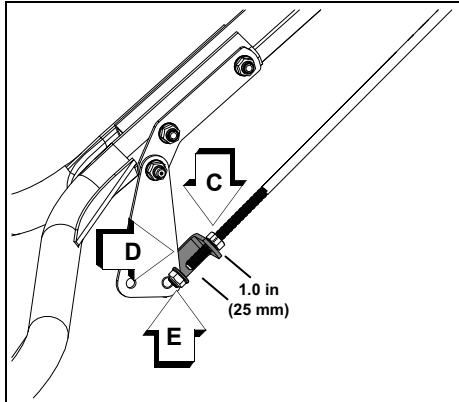
## Install Control Rods

1. Insert tab end of upper control rod (A) into slotted hole in gate control lever (B). Turn rod clockwise until it is parallel with handle assembly.

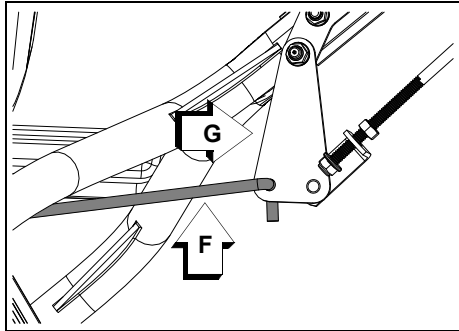




- 2. Thread 6 mm nut (C) onto end of upper control rod to a distance of 25.4 mm (1 in) from bottom of rod. Insert threaded end of rod into hole in hinge arm (D). Then thread 6 mm flange nut (E) onto rod.

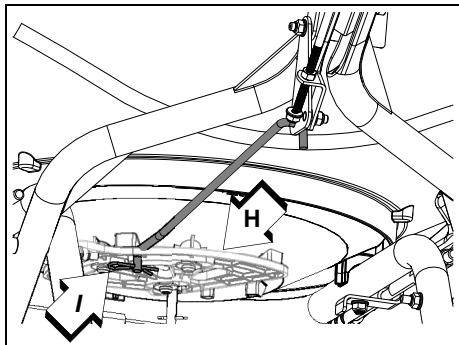


- 3. Insert lower control rod (F) into hinge (G), as shown.

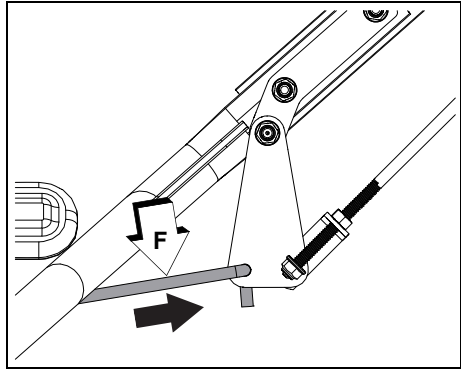


- 4. Insert other end of lower control rod into hole in gate control (H), as shown, and secure with clevis pin (I).

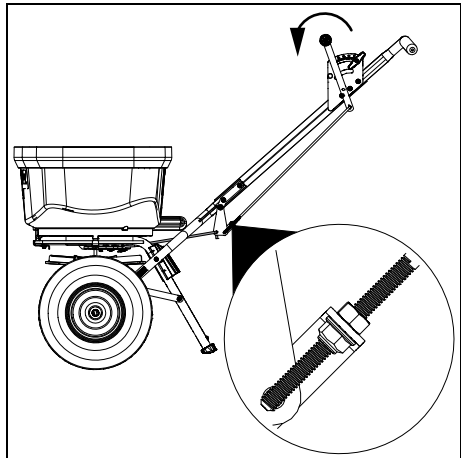
Note: Some parts removed from graphic for clarity.



5. Pull lower control rod (F) backward until gate is fully closed.

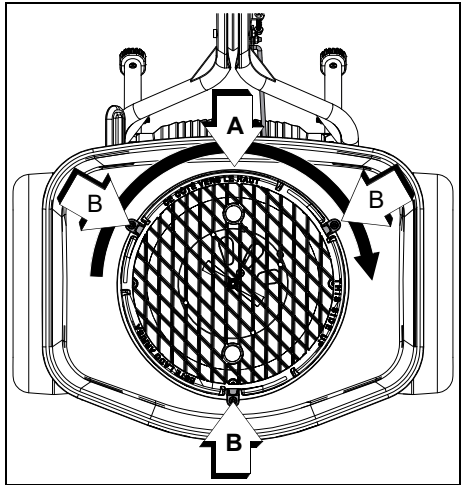


6. Position gate control lever fully forward, and tighten upper control rod nut and flange nut as shown.



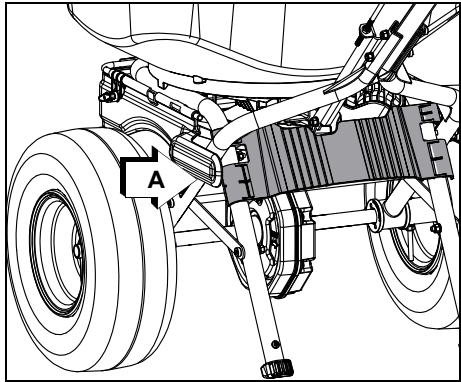
### Install Grate

1. Align notches in grate (A) with tabs (B) in hopper. Install grate into hopper. Turn grate clockwise to lock into place.



### Rear Deflector

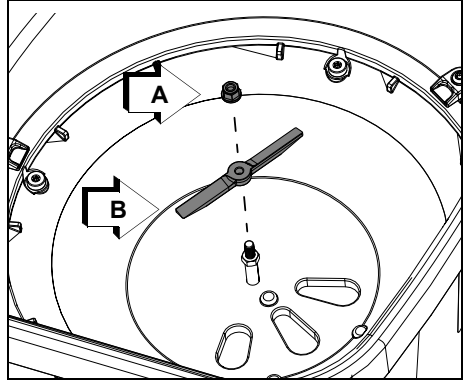
1. Install rear deflector (A) as shown.



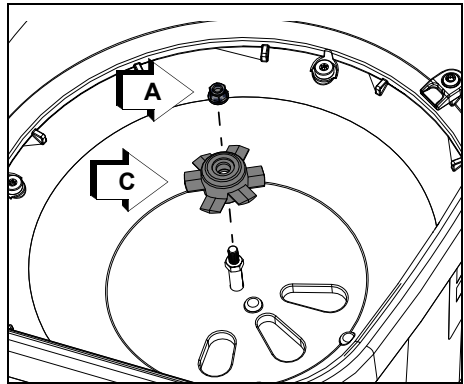
## Change Auger

Note: Refer to operation section for information on selecting correct auger.

1. Remove grate.
2. Remove flange nut (A) and bar auger (B) from gear shaft.



3. Install spiked auger (C) onto gear shaft and secure with flange nut (B).
4. Reinstall grate.



## NOTICE

*Assure spiked auger is oriented as shown.*

## Check Tire Pressure

### NOTICE

*Tires should be inflated to 15 psi. Assure tire pressure does not exceed 30 psi.*

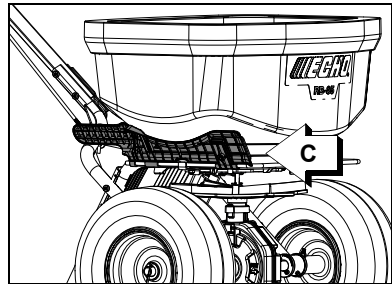
## OPERATION

### Application Instructions

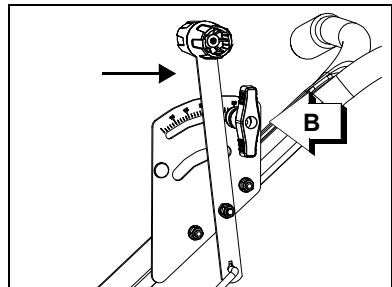
### ! CAUTION

**TIP HAZARD.** Unit can tip on uneven ground. Always fill hopper on flat ground, and keep bystanders away. Otherwise personal injury can result.

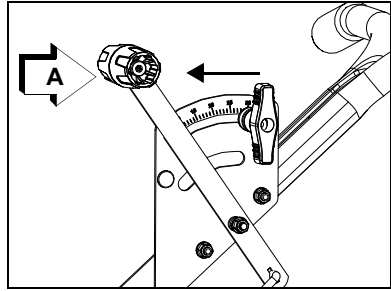
1. Adjust deflector (C) to desired angle for spreading range.



2. Pull gate control lever backward to set gate to desired opening size. Use gate adjustment limiter (B) to restrict gate opening size.



3. Push gate control lever (A) fully forward to close gate. Fill hopper with product. Fill hopper in an area that won't be damaged by spilled product.



4. Start spreader in motion, and pull gate control lever back to begin the flow of product.
5. Move gate control lever forward to close gate before turning or stopping.

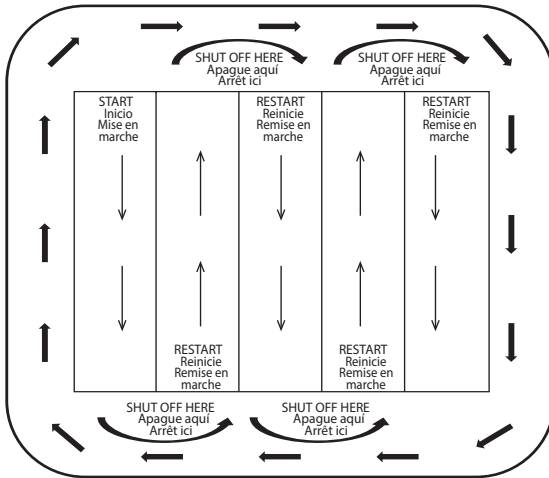
**NOTICE**

*Unit comes with bar auger factory installed. Bar auger is for general turf applications such as fertilizers, herbicides, pesticides, grass seed, and other free-flowing material. Change to spiked auger for denser materials, such as lawn mineral supplements. See assembly section for installation instructions.*

Setting comparison chart / Cuadro comparativo / Régler selon la charte de comparaison																			
Shindaiwa	9	10	11	11	12	13	14	14	15	16	17	19	20	22	23	25	26	28	30
Scotts	2	2.5	3	3.25	3.5	4	4.75	5	5.5	6	7	8	9	10	11	12	13	14	15
Earthway	12	13	13.5	14	14.3	14.5	15	16	17	18	20	21	22	23	24	25	26	27	28
LESCO	4	5	5.5	6	7	8	9	9	9.5	10	11	12	13	14	15	16	17	18	19

Setting by granular size   Ajuste por tamaño granular / Régler selon la taille des granules					
Setting	1 - 10	11 - 12	13 - 14	16 - 17	20 - 30
Ajuste	Pesticide	Weed Control	Fertilizer	Overseeding	New lawn
Réglage	Pesticidas	Control de hierba	Fertilizante	Resiembra	Nuevo césped
	Pesticide	Contrôle des mauvaises herbes	Fertilisation	Sursemmer	Pelouses neuves

Sample Spread Pattern  
Muestra del patrón de distribución  
Modèle d'épandage typ



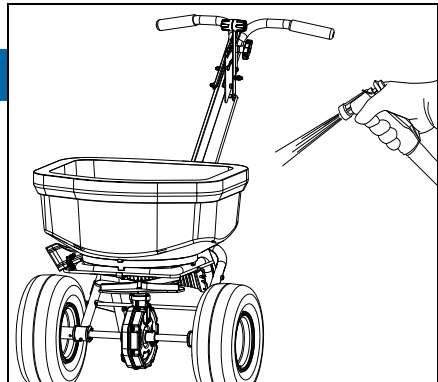
## MAINTENANCE

### Cleaning Spreader

#### **NOTICE**

Avoid spraying gear case directly, and do not use a pressure washer on spreader.

1. Wash spreader with a garden hose after each use.

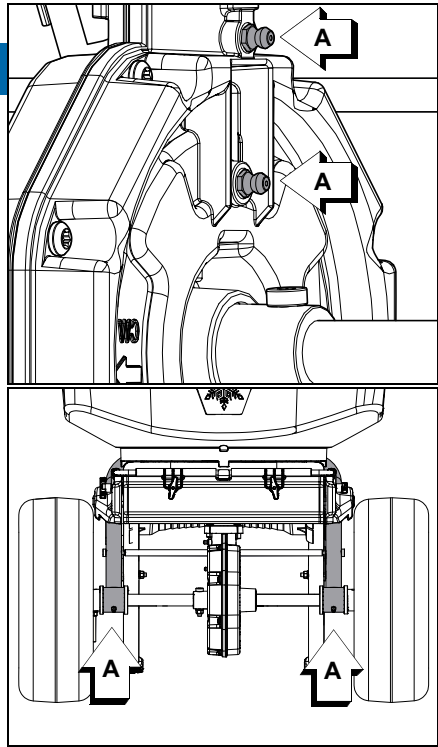


Lubrication

**NOTICE**

*Lubricate gear case and axle once per season.*

1. Gear case and Axle: Clear debris from grease fittings (A). Apply 1-2 pumps of lithium-based grease with appropriate grease gun. Clean excess grease from grease fittings.





---

**SPECIFICATIONS**


---

MODEL	RS850
Length	1,194 mm (47 in)
Width	654 mm (25.75 in)
Height	952 mm (37.50 in)
Weight	16.20 kg (35.80 lb)
<b>Capacity</b>	
Weight	38.50 kg (85lb.)
Volume	43.90 L (1.55 ft <sup>3</sup> )
Loading Height	641 mm (25.25 in)
<b>Wheels and Tires</b>	
Tire Diameter	305 mm (12 in)
Tire Type	Pneumatic
Recommended Pressure	103.4 kPa (15 psi)

---

**PRODUCT REGISTRATION**

---

**Thank you for choosing Shindaiwa Power Equipment**

Please go to <http://www.shindaiwa-usa.com> to register your new product on-line. It's **FAST** and **EASY**! NOTE: your information will never be sold or misused by ECHO Incorporated. Registering your purchase enables us to contact you in the unlikely event of a service update or product recall, and verifies your ownership for warranty consideration.

If you do not have access to the Internet, you can complete the form below and mail to:

***ECHO Incorporated, Product Registration, PO Box 1139,  
Lake Zurich, IL 60047.***

**shindaiwa®** PRODUCT REGISTRATION CARD : TARJETA DE REGISTRO : CARTE D'ENREGISTREMENT DU PRODUIT

**ONLINE OPTION:** Register online and save a stamp! You will be alerted of product updates and/or the release of new Shindaiwa product information and special offers. Simply go to: [www.shindaiwa-usa.com](http://www.shindaiwa-usa.com)

**OPCIÓN POR INTERNET:** Regístrese en la página web y ahorre una estampilla! Le alertarán sobre actualizaciones del producto y/o se le enviara información sobre los nuevos productos Shindaiwa y las ofertas especiales. Simplemente visite: [www.shindaiwa-usa.com](http://www.shindaiwa-usa.com)

**OPTION EN LIGNE:** Enregistrez en ligne et économiser un timbre! Vous serez informé sur les nouvelles produits Shindaiwa et les mises à jour de produit ainsi que les offres spéciales. Simplement visitez le: [www.shindaiwa-usa.com](http://www.shindaiwa-usa.com)

Please Print : Por Favor Escriba Con Letra De Molde : En Lettre Carré S.V.P.

Confidential: Information provided will not be shared or sold

Purchaser's Name : Nombre del Comprador : Nom de l'acheteur	
Address : Dirección : Adresse	
City : Ciudad : Ville	State : Estado : Province
	Zip Code : Código Postal : Code Postal
E-Mail Address : Dirección De Correo Electrónico : Courrier Électronique	
Phone Number : Número De Teléfono : Téléphone	Date of Purchase : Fecha de la Compra : Date de l'achat
Where Purchased : Nombre del Almacén donde fue Comprado : Lieu d'achat	
Model Number : Numero del Modelo : No. de modèle	Serial Number : Numero de Serie : No. de série

Registering your purchase enables us to contact you in the unlikely event of a service update or product recall and verifies your purchase. It also allows us to contact you in the unlikely event of a service update or product recall and verifies your purchase. It also allows us to contact you in the unlikely event of a service update or product recall and verifies your purchase. L'enregistrement de votre achat nous permettra de vous contacter dans le cas improbable de modifications des instructions d'entretien ou de rappel du produit et vérifier que vous êtes le propriétaire en cas de vol ou de perte.

Primary use of tool:  Professional  Homeowner  Rental Equip.  
 Uso primario de la herramienta:  Profesional  Dueño de casa  Alquiler  
 Usage principal :  Professionnel  Résidentiel  Location  
 Do you wish to receive periodic Shindaiwa product information and special offers by e-mail?  Yes  No  
 ¿Desea usted recibir información periódica y ofertas especiales por correo electrónico sobre el producto Shindaiwa?  Yes  No  
 Souhaitiez-vous recevoir périodiquement de l'information sur les produits Shindaiwa et les offres spéciales par courrier électronique ?  Oui  Non  
 Did you visit the Shindaiwa website before purchasing your product?  Yes  No  
 Visité usted la página web Shindaiwa antes de comprar su producto?  Si  No  
 Avez-vous visité le site d'Shindaiwa avant de procurer votre produit?  Oui  Non

What factor(s) most influenced your purchase?

Performance  Dealer  
 Reliability  Price  
 Friend/Family  Prior Experience  Quality  
 Funcionamiento  Precio  
 Confiabilidad  Marca  Garantía  
 Amigo/Familia  Experiencia Anterior  Calidad

¿Qué factor(es) influyó más en su compra?

Performance  Prix  
 Fiabilité  Expérience  
 Ami/Famille  Marque

Quel facteur (facteurs) vous a influencé le plus?

1.877.986.7783

[www.shindaiwa-usa.com](http://www.shindaiwa-usa.com)

X7571120102 02-21

N30800001001 - N3080000999999

N31000001001 - N3100000999999

**shindaiwa<sup>®</sup>**

**ECHO INCORPORATED**

400 Oakwood Road

Lake Zurich, IL 60047

**[www.shindaiwa-usa.com](http://www.shindaiwa-usa.com)**