

## EB262 Handheld Blower

### EB262 Soplador de mano

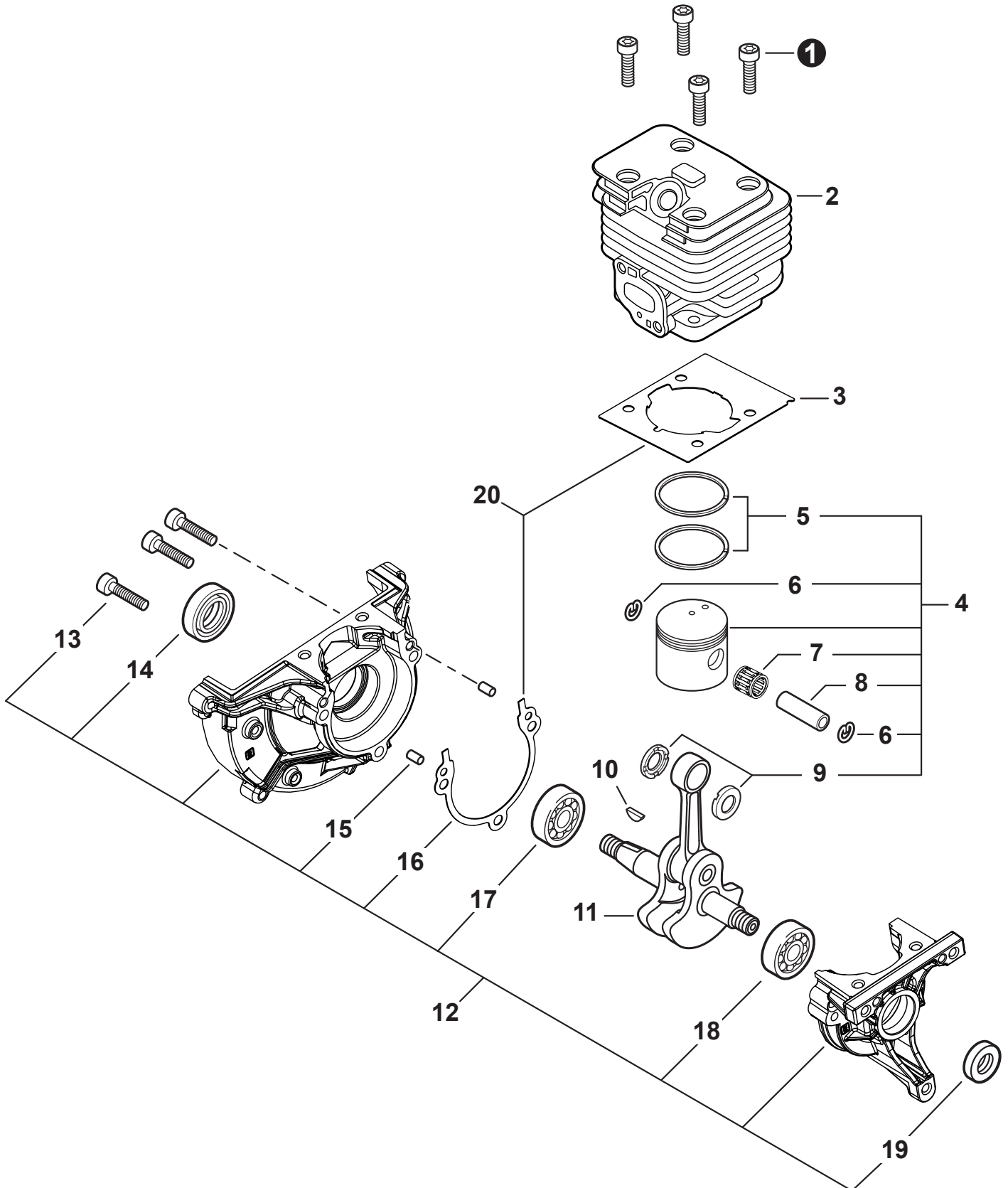


SERIAL NUMBERS / NÚMEROS DE SERIE  
P49015001001 - P49015999999

Accessories for Shindaiwa products can be found at:  
Los accesorios para los productos Shindaiwa se pueden encontrar en:  
[www.shindaiwa-usa.com/products/accessories.aspx](http://www.shindaiwa-usa.com/products/accessories.aspx)

|                          |                                    |
|--------------------------|------------------------------------|
| <b>ENGINE</b> .....2     | <b>FUEL SYSTEM</b> ..... 10        |
| MOTOR                    | SISTEMA DE COMBUSTIBLE             |
| <b>ENGINE</b> .....3     | <b>THROTTLE CONTROL</b> ..... 11   |
| MOTOR                    | CONTROL DE ACELERADOR              |
| <b>CARBURETOR</b> .....4 | <b>FAN CASE</b> .....12            |
| CARBURADOR               | CAJA DE VENTILADOR                 |
| <b>CARBURETOR</b> .....5 | <b>BLOWER TUBES</b> .....13        |
| CARBURADOR               | TUBOS DE SOPLADOR                  |
| <b>INTAKE</b> .....6     | <b>LABELS</b> .....13              |
| ADMISIÓN                 | ETIQUETAS                          |
| <b>EXHAUST</b> .....7    | <b>MAINTENANCE KITS</b> .....14    |
| ESCAPE                   | JUEGOS DE MANTENIMIENTO            |
| <b>IGNITION</b> .....8   | <b>BULK PIPE</b> .....14           |
| ENCENDIDO                | TUBO AL POR MAYOR                  |
| <b>STARTER</b> .....9    | <b>BULK STARTER ROPE</b> .....14   |
| ARRANCADOR               | CUERDA DEL ARRANCADOR AL POR MAYOR |

**ENGINE**  
MOTOR

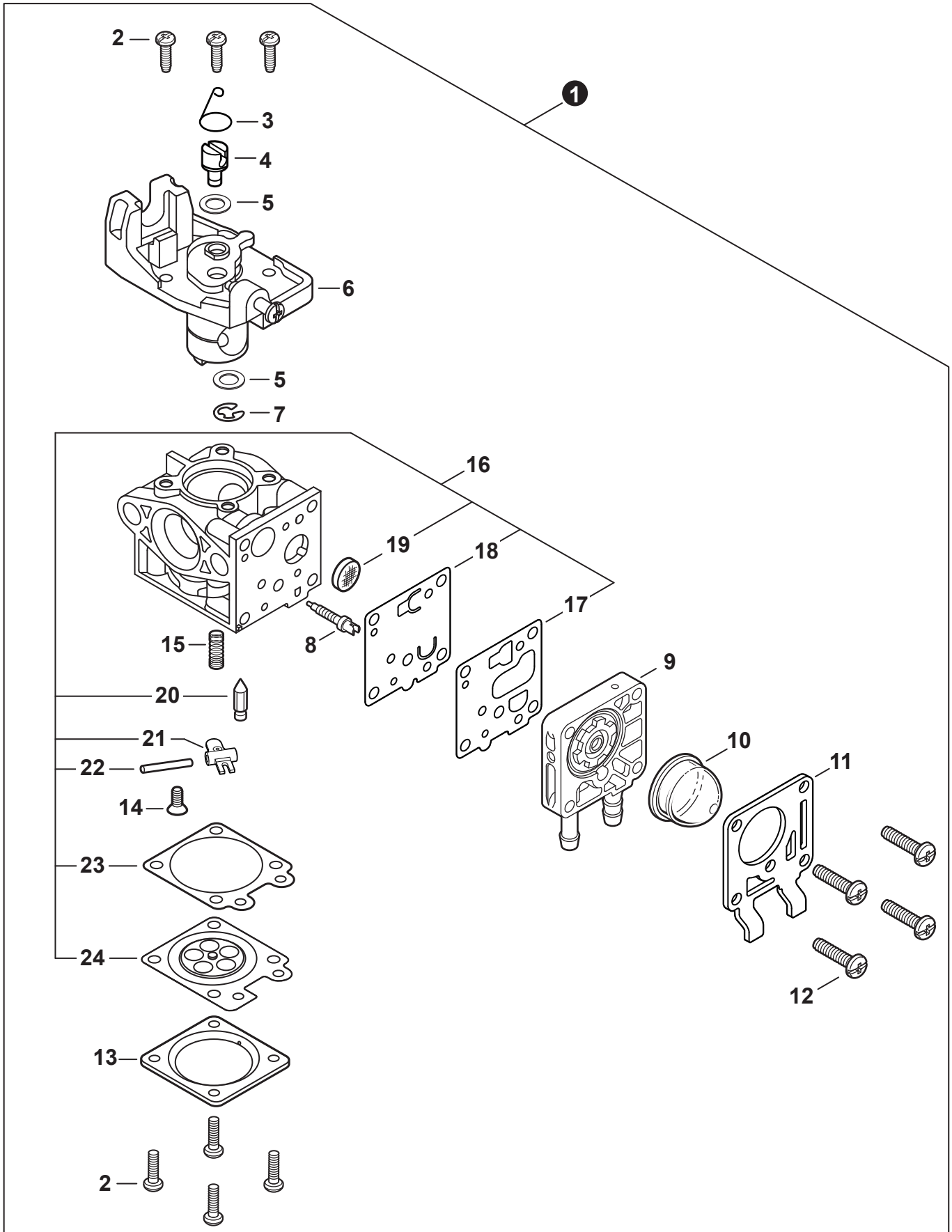


**ENGINE**  
**MOTOR**

| NO.       | PART NUMBER       | QTY.     | DESCRIPTION                                | DESCRIPCIÓN   |
|-----------|-------------------|----------|--|---|
| 1         | V805000210        | 4        | BOLT, TORX 5×20                            | PERNO TORX 5×20   |
| 2         | A130002370        | 1        | CYLINDER                                   | CILINDRO  |
| 3         | V100000860        | 1        | GASKET, CYLINDER                           | EMPAQUETADURA DE CILINDRO                               |
| <b>4</b>  | <b>P021052780</b> | <b>1</b> | <b>PISTON KIT</b>                          | <b>JUEGO DE PISTÓN</b>                                  |
| 5         | A101000010        | 2        | +RING, PISTON                              | +ANILLO DEL PISTÓN                                      |
| 6         | 10001503931       | 2        | +RING, SNAP                                | +ANILLO RETENEDOR                                       |
| 7         | V554000020        | 1        | +BEARING, NEEDLE 9                         | +COJINETE DE AGUJAS 9                                   |
| 8         | 10001335430       | 1        | +PIN, PISTON                               | +PASADOR DEL PISTÓN                                     |
| 9         | 10001453630       | 2        | +WASHER, THRUST                            | +ARANDELA DE EMPUJE                                     |
| 10        | 10014212330       | 1        | KEY, WOODRUFF                              | CHAVETA WOODRUFF  |
| 11        | A011001570        | 1        | CRANKSHAFT ASSY                            | MONTAJE DE CIGÜEÑAL                                     |
| <b>12</b> | <b>P021052790</b> | <b>1</b> | <b>CRANKCASE ASSY</b>                      | <b>MONTAJE DE CÁRTER</b>                                |
| 13        | V805000220        | 3        | +BOLT, TORX 5×25                           | +PERNO TORX 5×25  |
| 14        | 10021242031       | 1        | +SEAL, OIL 12                              | +SELLO DE ACEITE 12                                     |
| 15        | 90033040080       | 2        | +PIN, LOCATING 4×8                         | +PASADOR DE POSICIONAMIENTO 4×8                         |
| 16        | V102000300        | 1        | +GASKET, CRANKCASE                         | +EMPAQUETADURA DE CÁRTER                                |
| 17        | 90080036001       | 1        | +BEARING, BALL 6001                        | +COJINETE DE BALINES 6001                               |
| 18        | 90081036000       | 1        | +BEARING, BALL                             | +COJINETE DE BALINES                                    |
| 19        | V503000040        | 1        | +SEAL, OIL 10                              | +SELLO DE ACEITE 10                                     |
| <b>20</b> | <b>P021052820</b> | <b>1</b> | <b>GASKET KIT: Engine, Intake, Exhaust</b> | <b>JUEGO DE EMPAQUETADURA - Motor, Admisión, Escape</b> |

**CARBURETOR**

CARBURADOR

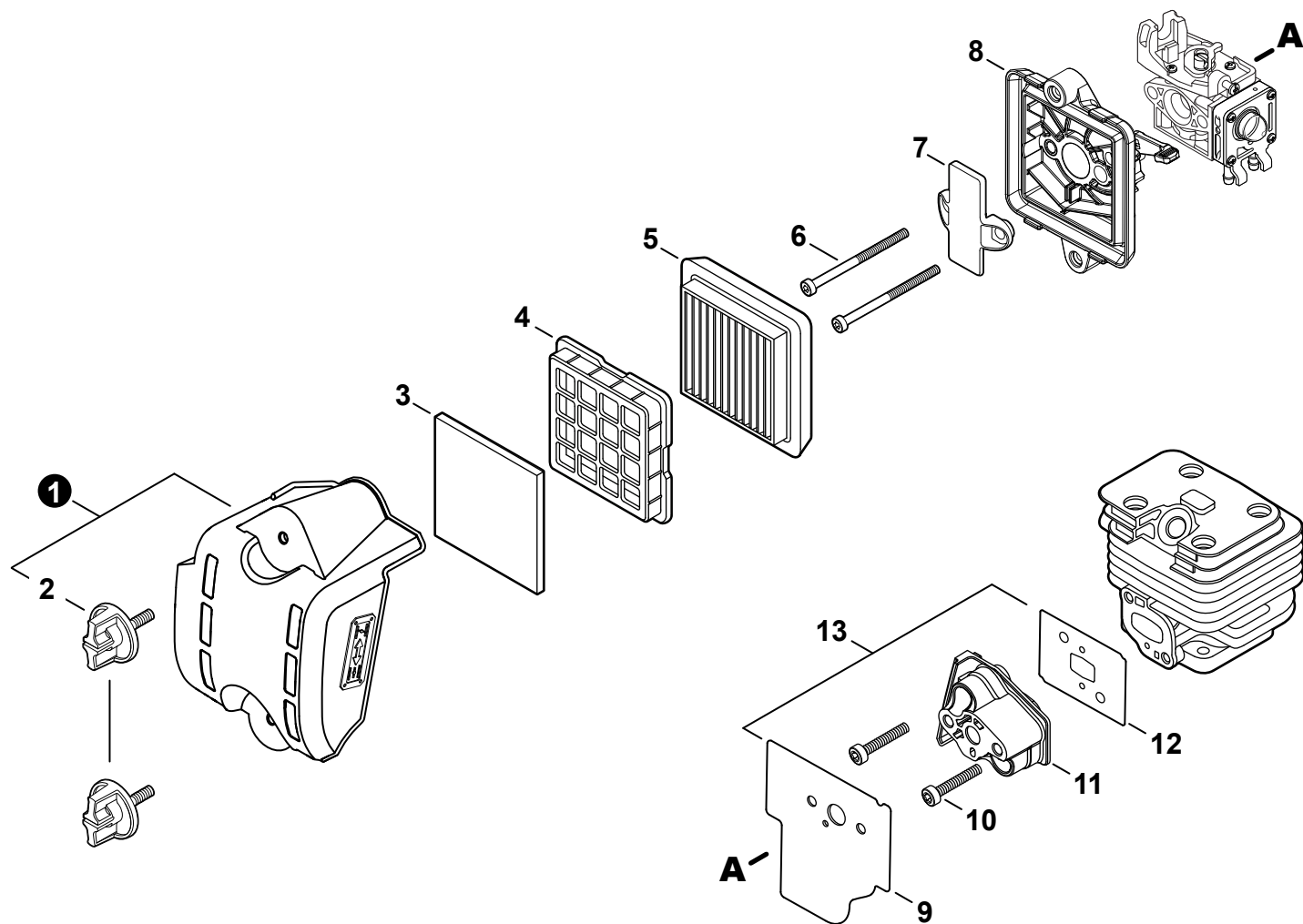


**CARBURETOR**  
 CARBURADOR

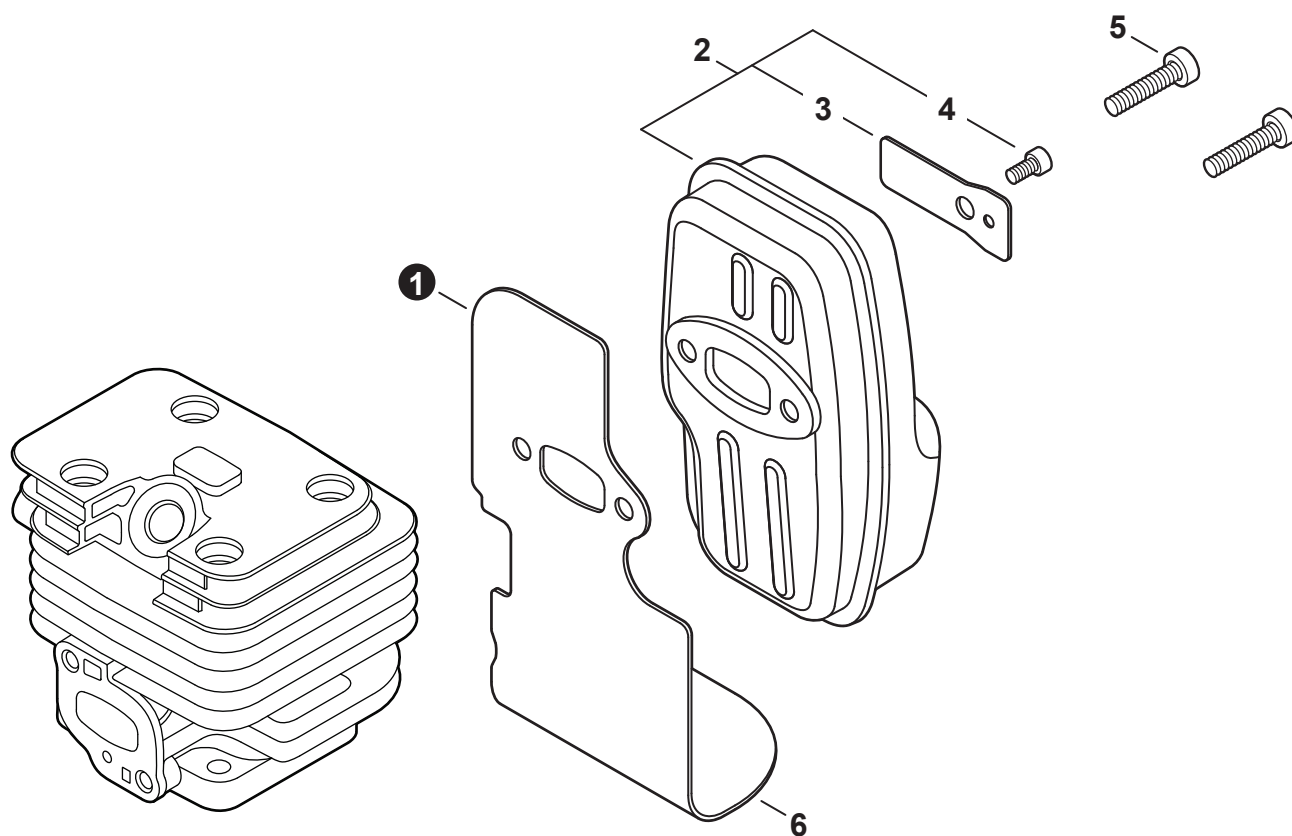
| NO. | PART NUMBER | QTY. | DESCRIPTION                    | DESCRIPCIÓN                                |
|-----|-------------|------|--------------------------------|--|
| 1   | A021004930  | 1    | CARBURETOR - WYG-14            | CARBURADOR - WYG-14                        |
| 2   | P003004560  | 7    | +SCREW                         | +TORNILLO                                  |
| 3   | P003006220  | 1    | +CLIP                          | +SUJETADOR                                 |
| 4   | P003005850  | 1    | +SWIVEL                        | +CONECTOR GIRATORIO                        |
| 5   | P003001710  | 2    | +WASHER                        | +ARANDELA                                  |
| 6   | P003006210  | 1    | +THROTTLE VALVE ASSY           | +MONTAJE DE LA VÁLVULA DEL ACELERADOR      |
| 7   | 12317307930 | 1    | +E-RING                        | +RETENEDOR TIPO "E"                        |
| 8   | P003005880  | 1    | +NEEDLE, MIXTURE               | +AGUJA DE REGULACION                       |
| 9   | P003006120  | 1    | +BODY ASSY, PUMP               | +MONTAJE DE CUERPO DE BOMBA                |
| 10  | 12318109560 | 1    | +BULB, PURGE                   | +BULBO DE PURGA                            |
| 11  | P003004510  | 1    | +COVER, FUEL PUMP              | +CUBIERTA DE LA BOMBA DE COMBUSTIBLE       |
| 12  | P003004570  | 4    | +SCREW                         | +TORNILLO                                  |
| 13  | 12314203930 | 1    | +COVER, METERING DIAPHRAGM     | +TAPA DE DIAFRAGMA DE MEDICIÓN             |
| 14  | P003005860  | 1    | +SCREW                         | +TORNILLO                                  |
| 15  | P003005870  | 1    | +SPRING                        | +RESORTE                                   |
| 16  | P003005940  | 1    | <b>+REPAIR KIT, CARBURETOR</b> | <b>+JUEGO DE REPARACIÓN DE CARBURADOR</b>  |
| 17  |             | 1    | ++GASKET, FUEL PUMP            | ++EMPAQUETADURA DE LA BOMBA DE COMBUSTIBLE |
| 18  |             | 1    | ++DIAPHRAGM, FUEL PUMP         | ++DIAFRAGMA DE LA BOMBA DE COMBUSTIBLE     |
| 19  | 12312610631 | 1    | ++SCREEN, FUEL INLET           | ++MALLA FILTRADORA                         |
| 20  | 12313719830 | 1    | ++VALVE, INLET NEEDLE          | ++VÁLVULA REGULADORA                       |
| 21  |             | 1    | ++LEVER, METERING              | ++PALANCA DE MEDICIÓN                      |
| 22  | 12313803930 | 1    | ++PIN, METERING LEVER          | ++PASADOR DE PALANCA DE MEDICIÓN           |
| 23  | 12314027230 | 1    | ++GASKET, METERING DIAPHRAGM   | ++EMPAQUETADURA DIAFRAGMA DE MEDICIÓN      |
| 24  |             | 1    | ++DIAPHRAGM, METERING          | ++DIAFRAGMA DE MEDICIÓN                    |

## INTAKE

## ADMISIÓN



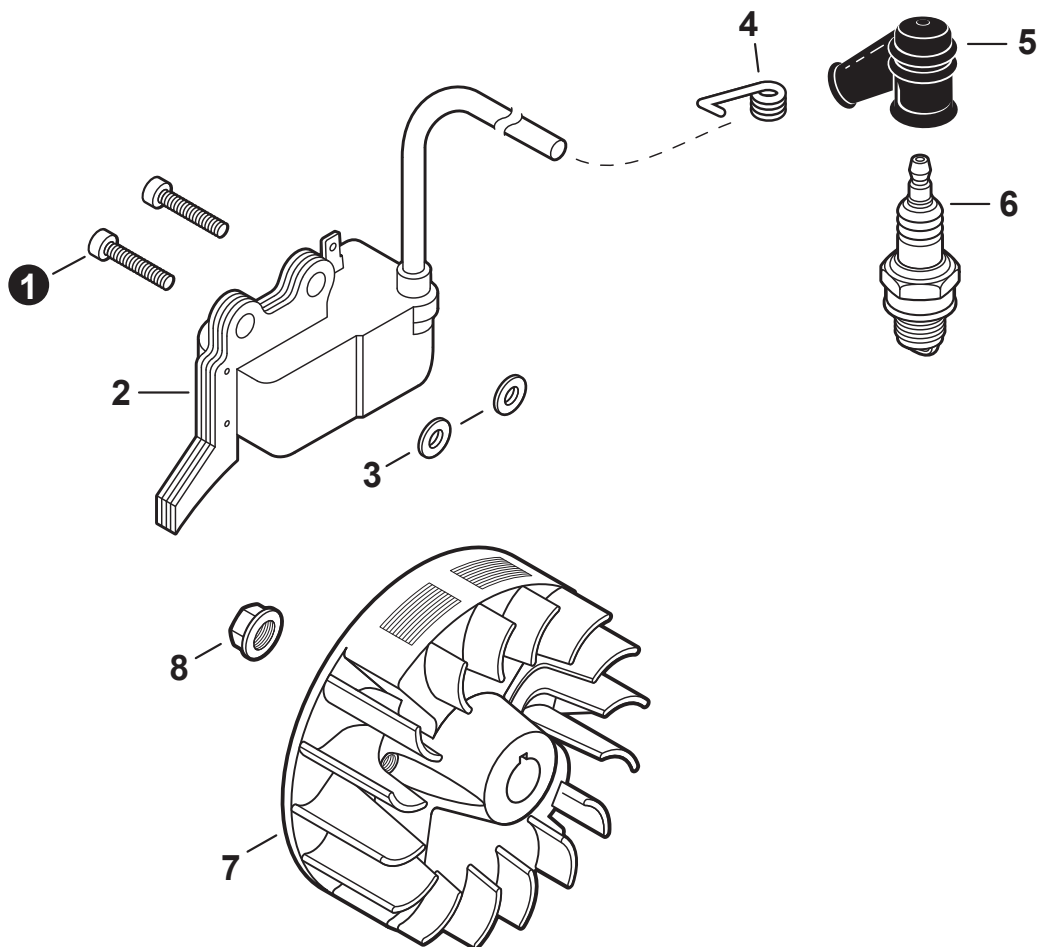
| NO. | PART NUMBER | QTY. | DESCRIPTION                         | DESCRIPCIÓN                                      |
|-----|-------------|------|-------------------------------------|--|
| 1   | P021052910  | 1    | COVER SET, AIR FILTER               | JUEGO DE CUBIERTA DEL FILTRO DE AIRE             |
| 2   | A235000390  | 2    | +KNOB, FASTENER                     | +PERILLA DE FIJACIÓN                             |
| 3   | A226002040  | 1    | PRE-FILTER, FOAM                    | PRÉ-FILTRO DE ESPUMA                             |
| 4   | A227000050  | 1    | RETAINER, PRE-FILTER                | SUJETADOR, PRE-FILTRO                            |
| 5   | A226002030  | 1    | FILTER, AIR                         | FILTRO DE AIRE                                   |
| 6   | V805000340  | 2    | BOLT, TORX 5×60                     | PERNO TORX 5×60                                  |
| 7   | A244000360  | 1    | PLATE, PREVENT                      | PLACA DE PREVENCIÓN                              |
| 8   | P021052920  | 1    | CASE, AIR FILTER                    | CAJA DEL FILTRO DE AIRE                          |
| 9   | V103002070  | 1    | GASKET, INTAKE                      | EMPAQUETADURA DE ADMISIÓN                        |
| 10  | V253000990  | 2    | BOLT 5×20                           | PERNO 5×20                                       |
| 11  | A200001220  | 1    | INSULATOR, INTAKE                   | AISLADOR DE ADMISIÓN                             |
| 12  | V103001950  | 1    | GASKET, INTAKE                      | EMPAQUETADURA DE ADMISIÓN                        |
| 13  | P021052820  | 1    | GASKET KIT: Engine, Intake, Exhaust | JUEGO DE EMPAQUETADURA - Motor, Admisión, Escape |

**EXHAUST**  
 ESCAPE


| NO. | PART NUMBER       | QTY.     | DESCRIPTION                                | DESCRIPCIÓN   |
|-----|-------------------|----------|--|---|
| 1   | V104002350        | 1        | HEAT SHIELD, EXHAUST                       | PROTECTOR TÉRMICO DEL ESCAPE                            |
| 2   | <b>P021052830</b> | <b>1</b> | <b>MUFFLER ASSY</b>                        | <b>MONTAJE DE SILENCIADOR</b>                           |
| 3   | A310000510        | 1        | +SCREEN, SPARK ARRESTER                    | +PANTALLA DEL GUARDACHISPAS                             |
| 4   | V804000030        | 1        | +BOLT, TORX 4×8                            | +PERNO TORX 4×8   |
| 5   | V805000210        | 2        | BOLT, TORX 5×20                            | PERNO TORX 5×20   |
| 6   | <b>P021052820</b> | <b>1</b> | <b>GASKET KIT: Engine, Intake, Exhaust</b> | <b>JUEGO DE EMPAQUETADURA - Motor, Admisión, Escape</b> |

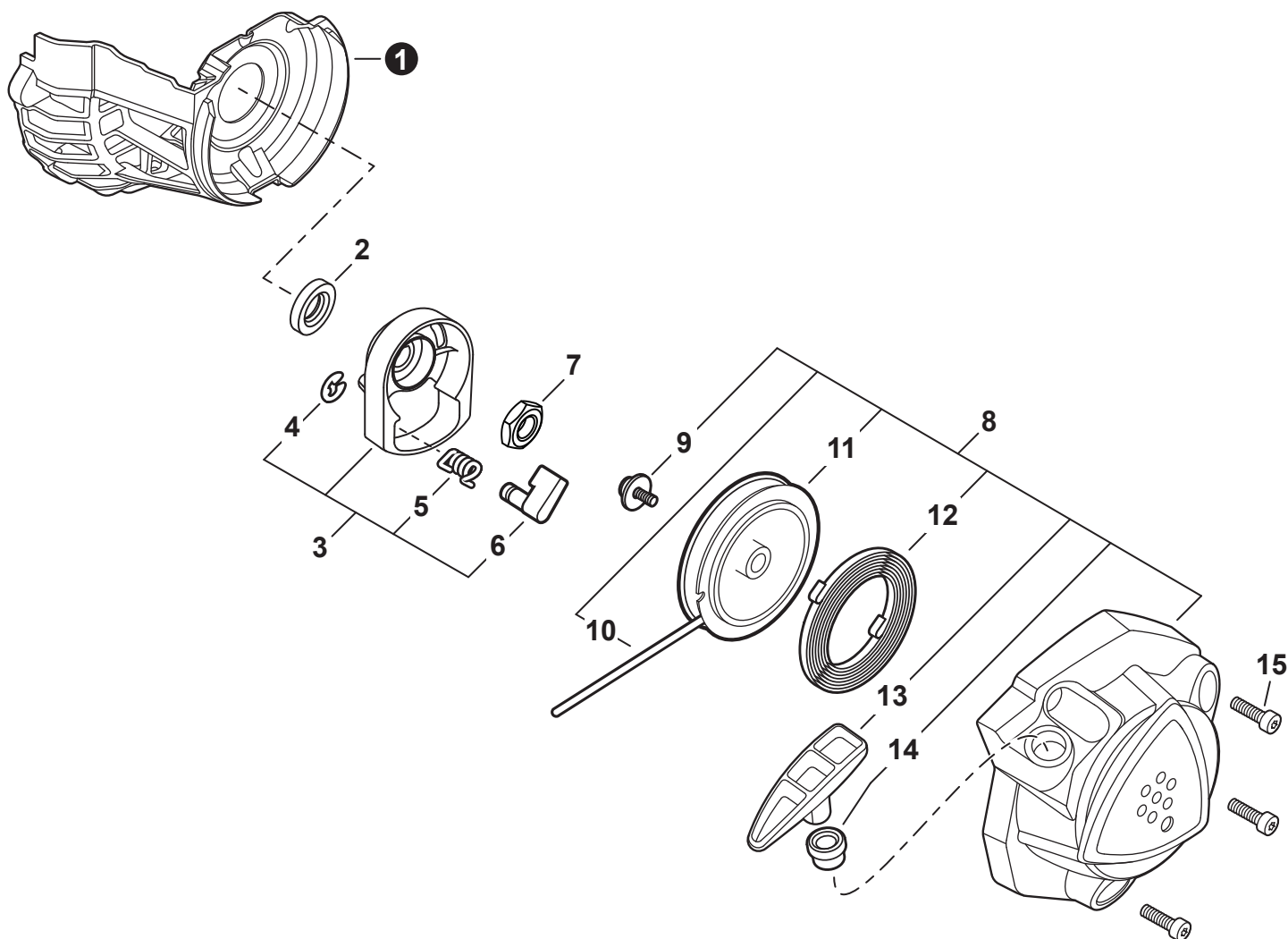
## IGNITION

## ENCENDIDO



| NO. | PART NUMBER | QTY. | DESCRIPTION          | DESCRIPCIÓN         |
|-----|-------------|------|----------------------|---------------------|
| 1   | V805000210  | 2    | BOLT, TORX 5×20      | PERNO TORX 5×20     |
| 2   | A411001840  | 1    | COIL, IGNITION       | BOBINA DE ENCENDIDO |
| 3   | V323000070  | 2    | SPACER 5             | ESPACIADOR 5        |
| 4   | A426000010  | 1    | TERMINAL, SPARK PLUG | TERMINAL DE BUJÍA   |
| 5   | A427000013  | 1    | CAP, SPARK PLUG      | TAPA DE BUJÍA       |
| 6   | A425000000  | 1    | SPARK PLUG - BPMR8Y  | BUJÍA - BPMR8Y      |
| 7   | A409001320  | 1    | FLYWHEEL             | VOLANTE             |
| 8   | 90051500008 | 1    | NUT, FLANGE M8       | TUERCA-BRIDA M8     |

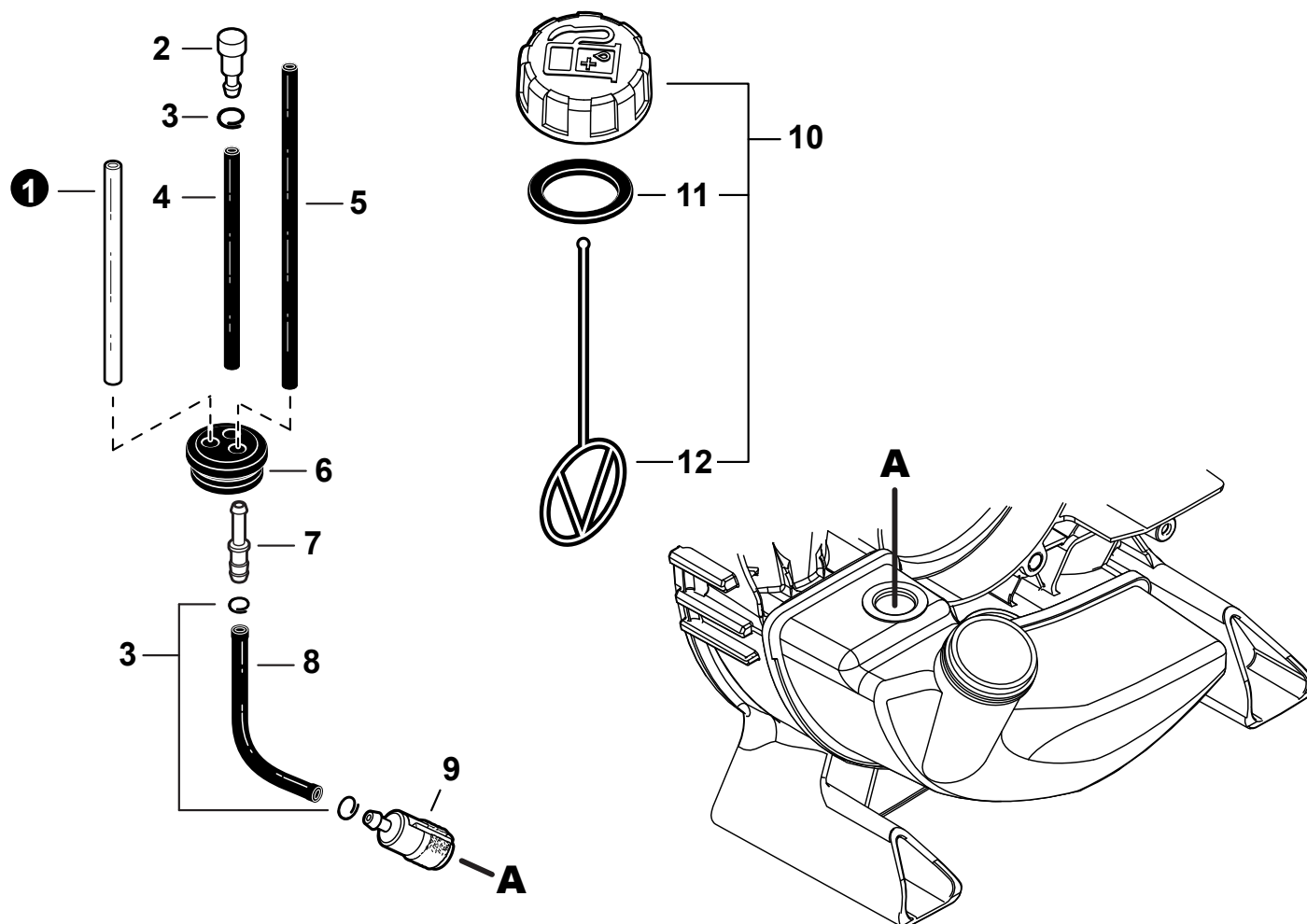


**STARTER**  
 ARRANCADOR


| NO. | PART NUMBER       | QTY.     | DESCRIPTION               | DESCRIPCIÓN                  |
|-----|-------------------|----------|---------------------------|------------------------------|
| 1   | A127000510        | 1        | SHIELD, DEBRIS            | PROTECTOR CONTRA RESIDUOS    |
| 2   | V306000620        | 1        | WASHER 8                  | ARANDELA 8                   |
| 3   | <b>A052000520</b> | <b>1</b> | <b>PAWL ASSY, STARTER</b> | <b>MONTAJE DE TRINQUETE</b>  |
| 4   | P022002100        | 1        | +E-RING 4                 | +RETENEDOR TIPO "E" 4        |
| 5   | 17723440630       | 1        | +SPRING, RETURN           | +RESORTE DE RETORNO          |
| 6   | A514000120        | 1        | +PAWL, STARTER            | +TRINQUETE                   |
| 7   | 90050200008       | 1        | NUT 8×1.25                | TUERCA 8×1.25                |
| 8   | <b>A051003310</b> | <b>1</b> | <b>STARTER ASSY</b>       | <b>MONTAJE DE ARRANCADOR</b> |
| 9   | 17723644330       | 1        | +SCREW                    | +TORNILLO                    |
| 10  | P022049010        | 1        | +ROPE, STARTER            | +CUERDA DEL ARRANCADOR       |
| 11  | P022049000        | 1        | +REEL, ROPE               | +CARRETE DEL CABLE           |
| 12  | P022019680        | 1        | +SPRING, RECOIL           | +RESORTE RECOIL              |
| 13  | P022036700        | 1        | +GRIP, STARTER            | +AGARRE DEL ARRANCADOR       |
| 14  | P022045770        | 1        | +GUIDE, ROPE              | +GUÍA DE CUERDA              |
| 15  | V805000150        | 3        | BOLT, TORX 5×16           | PERNO TORX 5×16              |

## FUEL SYSTEM

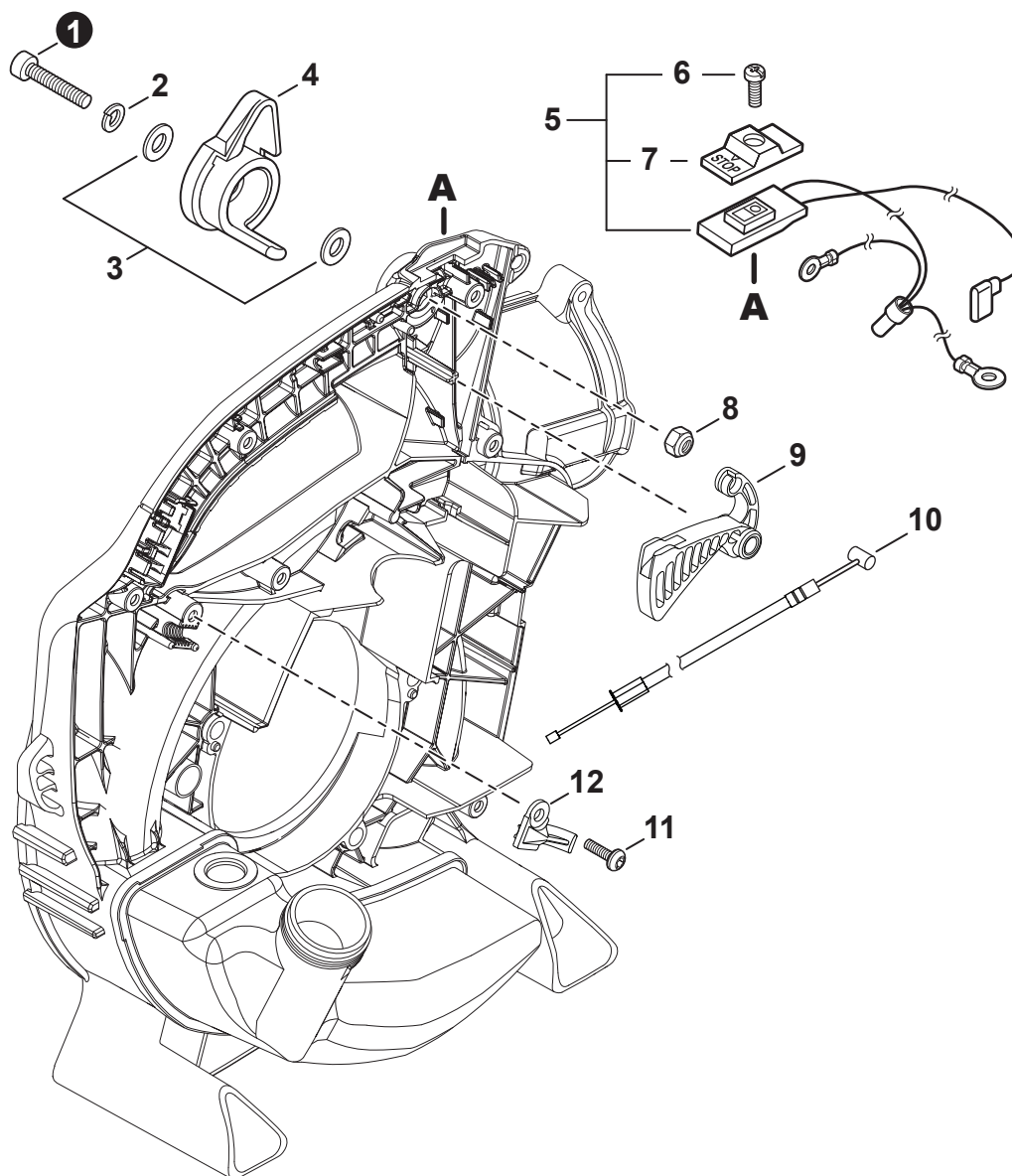
## SISTEMA DE COMBUSTIBLE



| NO. | PART NUMBER       | QTY.     | DESCRIPTION               | DESCRIPCIÓN                             |
|-----|-------------------|----------|---------------------------|---|
| 1   | 13201049730       | 1        | PIPE, FUEL 3×6×85 CLEAR   | TUBO DE COMBUSTIBLE 3×6×85 TRANSPARENTE |
| 2   | A356000031        | 1        | VENT ASSY                 | VÁLVULA DE RESPIRADERO                  |
| 3   | V490001240        | 3        | CLIP Ø6                   | SUJETADOR Ø6                            |
| 4   | V471005250        | 1        | PIPE, FUEL 3×5×60 BLACK   | TUBO DE COMBUSTIBLE 3×5×60 NEGRO        |
| 5   | V471005630        | 1        | PIPE, FUEL 3×5.5×78 BLACK | TUBO DE COMBUSTIBLE 3×5.5×78 NEGRO      |
| 6   | 13211546730       | 1        | GROMMET, FUEL Ø5          | OJAL DE COMBUSTIBLE Ø5                  |
| 7   | V186000520        | 1        | CONNECTOR, PIPE Ø5×Ø3.5   | CONECTOR DE TUBO Ø5×Ø3.5                |
| 8   | 13201004920       | 1        | PIPE, FUEL 3×5×150 BLACK  | TUBO DE COMBUSTIBLE 3×5×150 NEGRO       |
| 9   | A369000470        | 1        | FILTER, FUEL              | FILTRO DE COMBUSTIBLE                   |
| 10  | <b>P021013970</b> | <b>1</b> | <b>CAP ASSY, FUEL</b>     | <b>MONTAJE DE TAPA DE COMBUSTIBLE</b>   |
| 11  | 13101655830       | 1        | +GASKET, FUEL CAP         | +EMPAQUETADURA DE TAPA DE COMBUSTIBLE   |
| 12  | 13105156030       | 1        | +CONNECTOR, CAP L= 100 MM | +CONECTOR DE TAPA L= 100 MM             |

## THROTTLE CONTROL

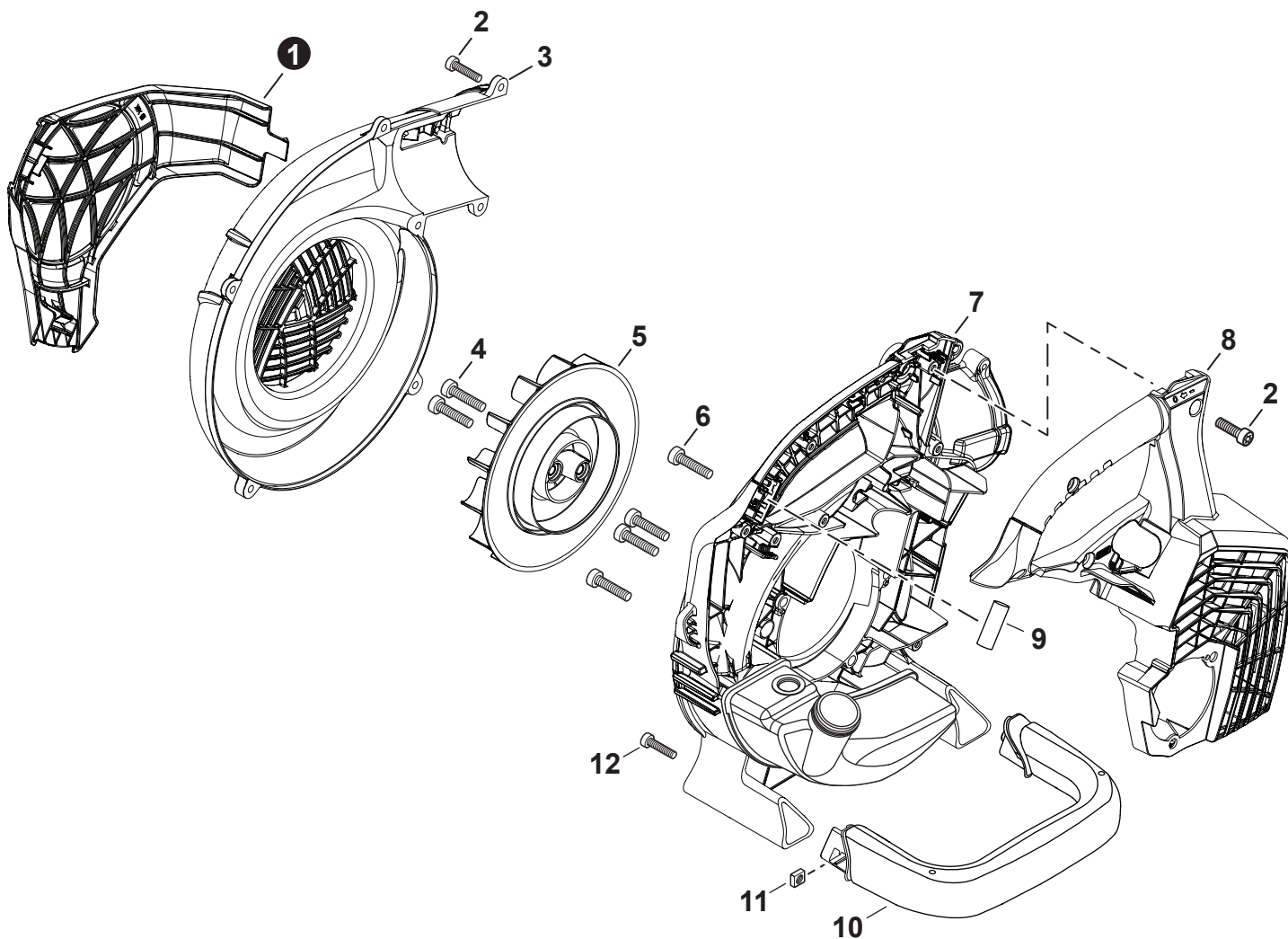
### CONTROL DE ACELERADOR



| NO. | PART NUMBER       | QTY.     | DESCRIPTION           | DESCRIPCIÓN                             |
|-----|-------------------|----------|-----------------------|---|
| 1   | V805000220        | 1        | BOLT, TORX 5×25       | PERNO TORX 5×25                         |
| 2   | 90060500005       | 1        | WASHER, SPRING 5      | ARANDELA DE PRESION 5                   |
| 3   | 90060300005       | 2        | WASHER 5.5×12×0.8     | ARANDELA 5.5×12×0.8                     |
| 4   | C453000300        | 1        | CONTROL, THROTTLE     | CONTROL DE ACELERADOR                   |
| 5   | <b>P021052770</b> | <b>1</b> | <b>SWITCH, ON-OFF</b> | <b>INTERRUPTOR DE ENCENDIDO-APAGADO</b> |
| 6   | 9154503010        | 1        | +SCREW 3×10           | +TORNILLO 3×10                          |
| 7   | A444000060        | 1        | +KNOB, SWITCH         | +BOTÓN DE INTERRUPTOR                   |
| 8   | 90056250005       | 1        | NUT, LOCK M5          | CONTRATUERCA M5                         |
| 9   | C450001050        | 1        | TRIGGER, THROTTLE     | GATILLO DEL ACELERADOR                  |
| 10  | V430005240        | 1        | CABLE, THROTTLE       | CABLE DEL ACELERADOR                    |
| 11  | V805000240        | 1        | BOLT, TORX 5×12       | PERNO TORX 5×12                         |
| 12  | C480000220        | 1        | GUIDE, CABLE          | GUÍA DE CABLE                           |

## FAN CASE

## CAJA DE VENTILADOR



| NO. | PART NUMBER | QTY. | DESCRIPTION       | DESCRIPCIÓN                        |
|-----|-------------|------|-------------------|------------------------------------|
| 1   | E104000270  | 1    | GUARD, LEAF       | PROTECTOR ANTI-CUCHILLAS           |
| 2   | V805000010  | 13   | BOLT, TORX 5×20   | PERNO TORX 5×20                    |
| 3   | E103001510  | 1    | COVER, FAN CASE   | CUBIERTA DE LA CAJA DEL VENTILADOR |
| 4   | V806000010  | 2    | BOLT, TORX 6×20   | PERNO TORX 6×20                    |
| 5   | E100000290  | 1    | FAN, BLOWER       | VENTILADOR DE LA SOPLADOR          |
| 6   | V805000150  | 4    | BOLT, TORX 5×16   | PERNO TORX 5×16                    |
| 7   | E103001601  | 1    | CASE, FAN         | CAJA DE VENTILADOR                 |
| 8   | A190001670  | 1    | COVER, ENGINE     | CUBIERTA DE MOTOR                  |
| 9   | C688000070  | 1    | WEIGHT            | PESA                               |
| 10  | C041000810  | 1    | HANDLE ASSY, REAR | MONTAJE DE MANGO TRASERO           |
| 11  | V263000530  | 2    | NUT 5             | TUERCA 5                           |
| 12  | V805000160  | 2    | BOLT, TORX 5×20   | PERNO TORX 5×20                    |

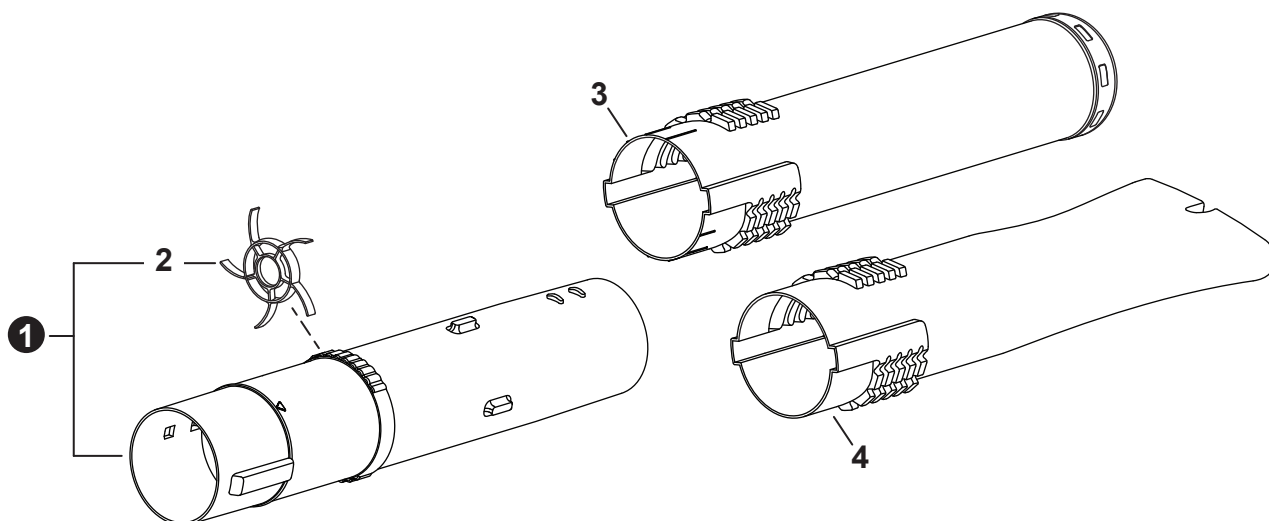
+ Denotes item is part of an assembly  
 ++ Denotes item is part of a sub-assembly

+ Denota artículo forma parte de una asamblea  
 ++ Denota artículo forma parte de un submontaje

Effective 01/01/20

## BLOWER TUBES

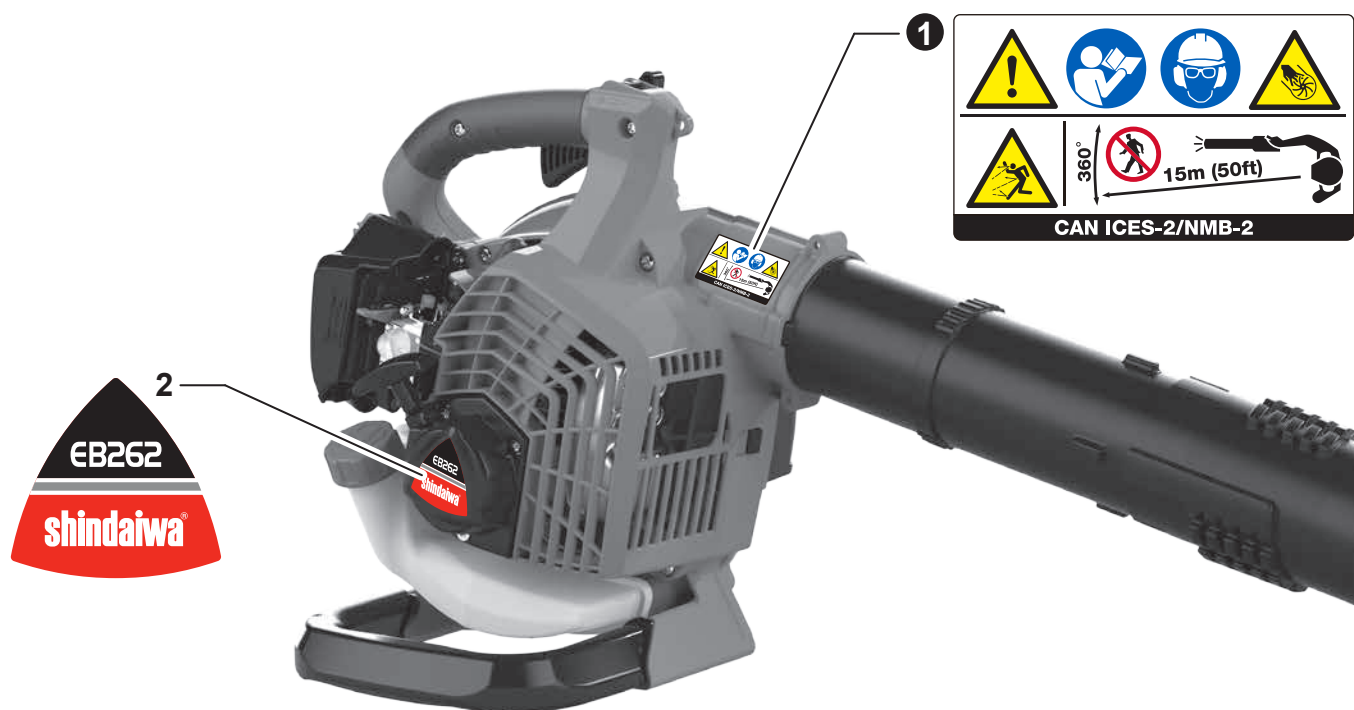
### TUBOS DE SOPLADOR



| NO. | PART NUMBER | QTY. | DESCRIPTION                  | DESCRIPCIÓN                              |
|-----|-------------|------|------------------------------|--|
| 1   | E165000970  | 1    | TUBE, BLOWER - STRAIGHT      | TUBO DE SOPLADOR - RECTO                 |
| 2   | E178000130  | 1    | +GUARD - BLOWER TUBE         | +PROTECTOR DEL TUBO DE SOPLADOR          |
| 3   | E165001040  | 1    | TUBE, BLOWER - NOZZLE        | TUBO DE SOPLADOR - BOQUILLA              |
| 4   | E165000980  | 1    | TUBE, BLOWER - FLARED NOZZLE | TUBO DE SOPLADOR - BOQUILLA TIPO ABANICO |

## LABELS

### ETIQUETAS



| NO. | PART NUMBER | QTY. | DESCRIPTION            | DESCRIPCIÓN                 |
|-----|-------------|------|------------------------|-----------------------------|
| 1   | X505010760  | 1    | LABEL, CAUTION         | ETIQUETA DE PRECAUCIÓN      |
| 2   | X562001150  | 1    | LABEL, STARTER - EB262 | ETIQUETA ARRANCADOR - EB262 |

**MAINTENANCE KITS****JUEGOS DE MANTENIMIENTO**

| NO. | PART NUMBER | QTY. | DESCRIPTION                                | DESCRIPCIÓN   |
|-----|-------------|------|--|---|
| 1   | P021052820  | 1    | <b>GASKET KIT: Engine, Intake, Exhaust</b> | <b>JUEGO DE EMPAQUETADURA - Motor, Admisión, Escape</b> |
| 2   | V100000860  | 1    | +GASKET, CYLINDER                          | +EMPAQUETADURA DE CILINDRO                              |
| 3   | V102000300  | 1    | +GASKET, CRANKCASE                         | +EMPAQUETADURA DE CÁRTER                                |
| 4   | V103002070  | 1    | +GASKET, INTAKE                            | +EMPAQUETADURA DE ADMISIÓN                              |
| 5   | V103001950  | 1    | +GASKET, INTAKE                            | +EMPAQUETADURA DE ADMISIÓN                              |
| 6   | V104002350  | 1    | +HEAT SHIELD, EXHAUST                      | +PROTECTOR TÉRMICO DEL ESCAPE                           |

**BULK PIPE****TUBO AL POR MAYOR**

| NO. | PART NUMBER | QTY. | DESCRIPTION                             | DESCRIPCIÓN  |
|-----|-------------|------|---|--|
| 1   | 90014       | 1    | BULK PIPE - 3x5 MM BLACK (4 PIECESx2 M) | TUBO AL POR MAYOR 3x5 MM NEGRO (4 PIEZASx2 M)        |
| 2   | 90015       | 1    | BULK PIPE - 3x6 MM BLACK (4 PIECESx2 M) | TUBO AL POR MAYOR 3x6 MM NEGRO (4 PIEZASx2 M)        |
| 3   | 90016       | 1    | BULK PIPE - 3x7 MM BLACK (4 PIECESx2 M) | TUBO AL POR MAYOR 3x7 MM NEGRO (4 PIEZASx2 M)        |
| 4   | 90017       | 1    | BULK PIPE - 3x6 MM CLEAR (4 PIECESx2 M) | TUBO AL POR MAYOR 3x6 MM TRANSPARENTE (4 PIEZASx2 M) |
| 5   | 90018       | 1    | BULK PIPE - 2x4 MM CLEAR (4 PIECESx2 M) | TUBO AL POR MAYOR 2x4 MM TRANSPARENTE (4 PIEZASx2 M) |

**BULK STARTER ROPE****CUERDA DEL ARRANCADOR AL POR MAYOR**

| NO. | PART NUMBER | QTY. | DESCRIPTION                       | DESCRIPCIÓN                                      |
|-----|-------------|------|-----------------------------------|--|
| 1   | 99944435000 | 1    | BULK STARTER ROPE - Ø 2.3 MMx61 M | CUERDA DEL ARRANCADOR AL POR MAYOR Ø 2.3 MMx61 M |
| 2   | 99944440000 | 1    | BULK STARTER ROPE - Ø 3.0 MMx61 M | CUERDA DEL ARRANCADOR AL POR MAYOR Ø 3.0 MMx61 M |
| 3   | 99944445000 | 1    | BULK STARTER ROPE - Ø 3.5 MMx61 M | CUERDA DEL ARRANCADOR AL POR MAYOR Ø 3.5 MMx61 M |
| 4   | 99944450000 | 1    | BULK STARTER ROPE - Ø 4.0 MMx61 M | CUERDA DEL ARRANCADOR AL POR MAYOR Ø 4.0 MMx61 M |
| 5   | 99944455000 | 1    | BULK STARTER ROPE - Ø 4.4 MMx61 M | CUERDA DEL ARRANCADOR AL POR MAYOR Ø 4.4 MMx61 M |
| 6   | 99944460000 | 1    | BULK STARTER ROPE - Ø 4.8 MMx61 M | CUERDA DEL ARRANCADOR AL POR MAYOR Ø 4.8 MMx61 M |