

## M235 Multi-Tool

### M235 Multi-herramienta

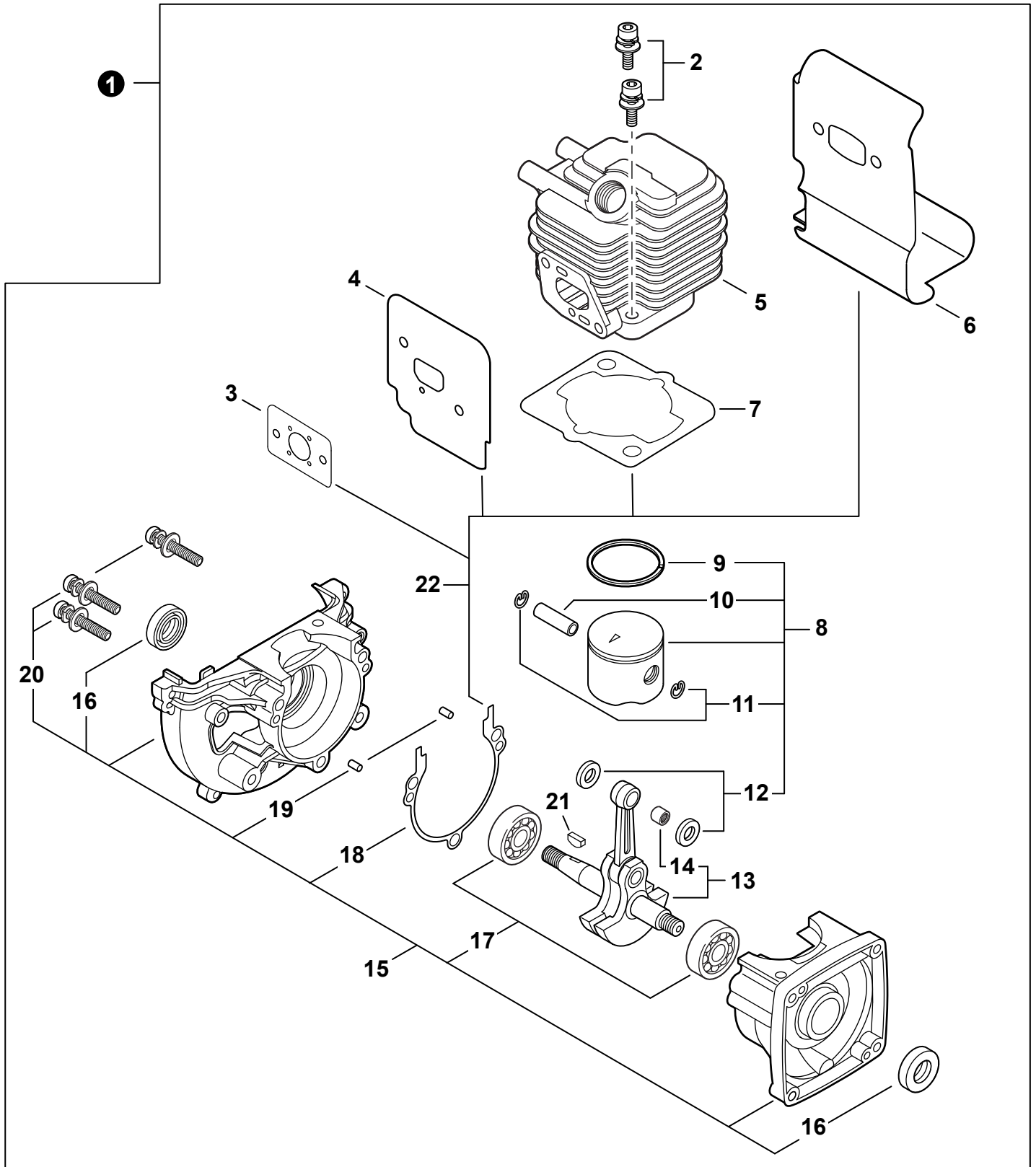


SERIAL NUMBERS / NÚMEROS DE SERIE  
U12015001001 - U12015999999

Accessories for Shindaiwa products can be found at:  
Los accesorios para los productos Shindaiwa se pueden encontrar en:  
[www.shindaiwa-usa.com/products/accessories.aspx](http://www.shindaiwa-usa.com/products/accessories.aspx)

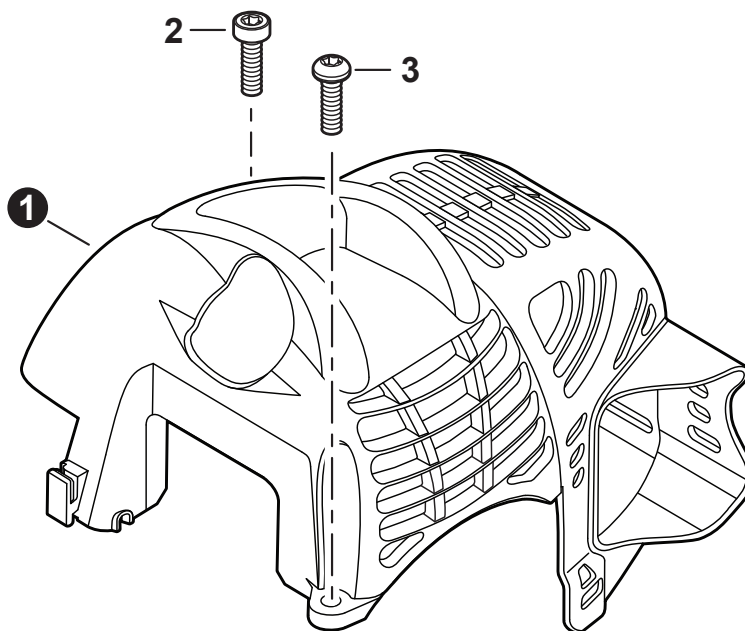
|                                      |    |                                    |    |
|--------------------------------------|----|------------------------------------|----|
| <b>ENGINE</b> .....                  | 2  | <b>FUEL SYSTEM</b> .....           | 12 |
| MOTOR                                |    | SISTEMA DE COMBUSTIBLE             |    |
| <b>ENGINE</b> .....                  | 3  | <b>FAN COVER / CLUTCH</b> .....    | 13 |
| MOTOR                                |    | CUBIERTA DEL VENTILADOR / EMBRAGUE |    |
| <b>ENGINE COVER</b> .....            | 3  | <b>MAIN PIPE</b> .....             | 14 |
| CUBIERTA DE MOTOR                    |    | TUBO PRINCIPAL                     |    |
| <b>CARBURETOR - RB-110128D</b> ..... | 4  | <b>THROTTLE CONTROL</b> .....      | 15 |
| CARBURADOR - RB-110128D              |    | CONTROL DEL ACELERADOR             |    |
| <b>CARBURETOR - RB-110128D</b> ..... | 5  | <b>HANDLE - SUPPORT</b> .....      | 16 |
| CARBURADOR - RB-110128D              |    | MANGO DE SOPORTE                   |    |
| <b>CARBURETOR - GL-3A</b> .....      | 6  | <b>COUPLER</b> .....               | 17 |
| CARBURADOR - GL-3A                   |    | UNIÓN                              |    |
| <b>CARBURETOR - GL-3A</b> .....      | 7  | <b>LABELS</b> .....                | 18 |
| CARBURADOR - GL-3A                   |    | ETIQUETAS                          |    |
| <b>INTAKE</b> .....                  | 8  | <b>MAINTENANCE KITS</b> .....      | 19 |
| ADMISIÓN                             |    | JUEGOS DE MANTENIMIENTO            |    |
| <b>EXHAUST</b> .....                 | 9  | <b>BULK PIPE</b> .....             | 19 |
| ESCAPE                               |    | TUBO AL POR MAYOR                  |    |
| <b>IGNITION</b> .....                | 10 | <b>BULK STARTER ROPE</b> .....     | 19 |
| ENCENDIDO                            |    | CUERDA DEL ARRANCADOR AL POR MAYOR |    |
| <b>STARTER</b> .....                 | 11 |                                    |    |
| ARRANCADOR                           |    |                                    |    |

**ENGINE**  
MOTOR



**ENGINE**  
**MOTOR**

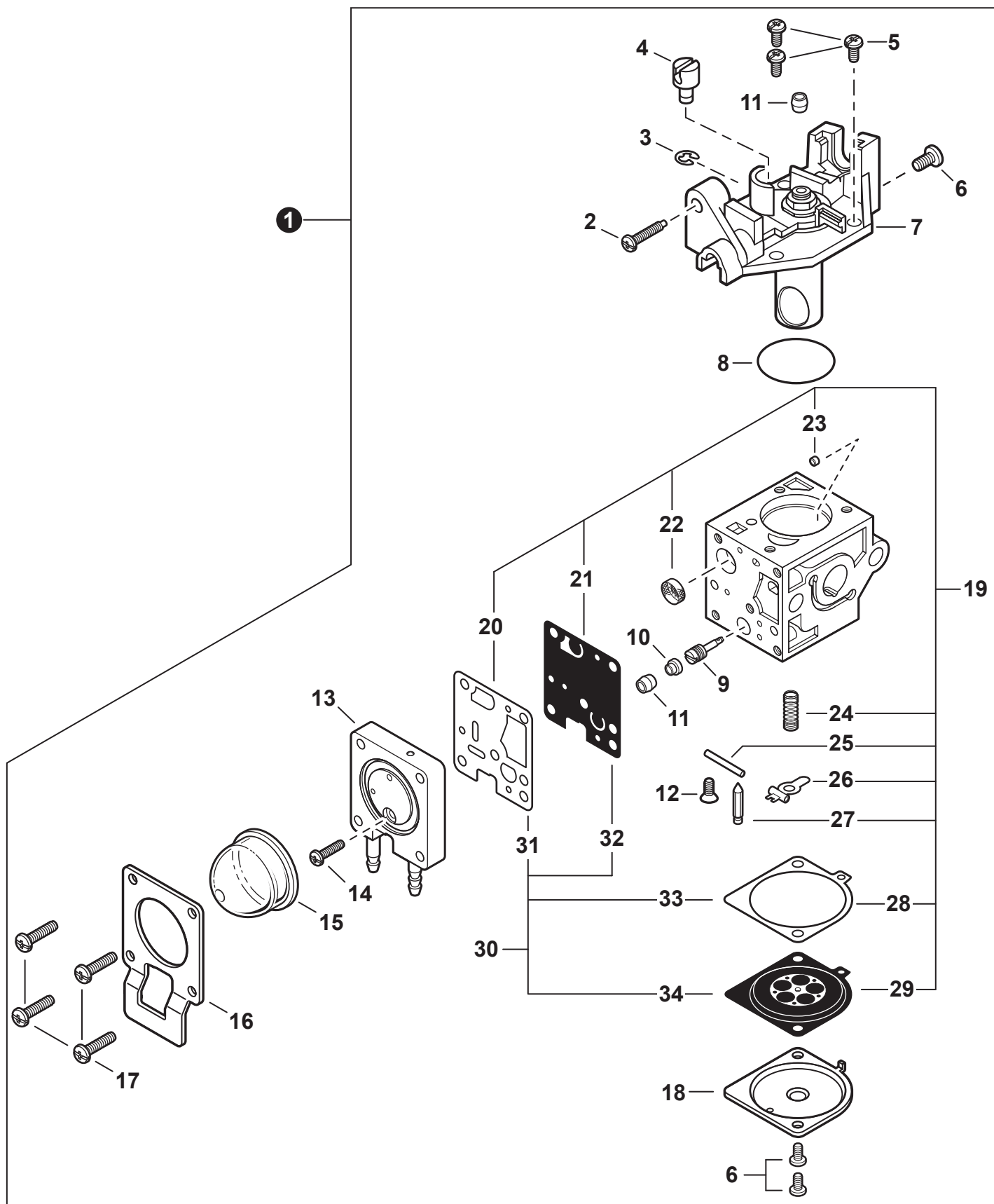
| NO. | PART NUMBER        | QTY. | DESCRIPTION                                | DESCRIPCIÓN   |
|-----|--------------------|------|--|---|
| 1   | <b>SB1124</b>      | 1    | <b>SHORT BLOCK</b>                         | <b>BLOQUE CORTO</b>                                     |
| 2   | 90016205022        | 2    | +BOLT 5x22                                 | +PERNO 5x22   |
| 3   | V103002190         | 1    | +GASKET, INTAKE                            | +EMPAQUETADURA DE ADMISIÓN                              |
| 4   | V103001360         | 1    | +HEAT SHIELD, INTAKE                       | +PROTECTOR TÉRMICO DEL ADMISIÓN                         |
| 5   | A130002320         | 1    | +CYLINDER                                  | +CILINDRO   |
| 6   | V104000850         | 1    | +HEAT SHIELD, EXHAUST                      | +PROTECTOR TÉRMICO DEL ESCAPE                           |
| 7   | 10101044332        | 1    | +GASKET, CYLINDER                          | +EMPAQUETADURA DE CILINDRO                              |
| 8   | <b>P021051490</b>  | 1    | <b>+PISTON KIT</b>                         | <b>+JUEGO DE PISTÓN</b>                                 |
| 9   | A101000090         | 1    | ++RING, PISTON                             | ++ANILLO DEL PISTÓN                                     |
| 10  | 10001311520        | 1    | ++PIN, PISTON 8                            | ++PASADOR DEL PISTÓN 8                                  |
| 11  | 10001504630        | 2    | ++RING, SNAP                               | ++ANILLO RETENEDOR                                      |
| 12  | 10001411520        | 2    | ++WASHER, THRUST                           | ++ARANDELA DE EMPUJE                                    |
| 13  | <b>A011001410</b>  | 1    | <b>+CRANKSHAFT ASSY</b>                    | <b>+MONTAJE DE CIGÜEÑAL</b>                             |
| 14  | V553000060         | 1    | ++BEARING, NEEDLE 8                        | ++COJINETE DE AGUJAS 8                                  |
| 15  | <b>10020452133</b> | 1    | <b>+CRANKCASE KIT</b>                      | <b>+JUEGO DE CÁRTER</b>                                 |
| 16  | 10021242031        | 2    | ++SEAL, OIL 12                             | ++SELLO DE ACEITE 12                                    |
| 17  | 9403536201         | 2    | ++BEARING, BALL 6201                       | ++COJINETE DE BOLAS 6201                                |
| 18  | 10024242030        | 1    | ++GASKET, CRANKCASE                        | ++EMPAQUETADURA DE CÁRTER                               |
| 19  | 90033040080        | 2    | ++PIN, LOCATING 4x8                        | ++PASADOR DE POSICIONAMIENTO 4x8                        |
| 20  | 90016205028        | 3    | ++BOLT 5x28                                | ++PERNO 5x28  |
| 21  | 10014212330        | 1    | +KEY, WOODRUFF                             | +CHAVETA WOODRUFF                                       |
| 22  | <b>P021051670</b>  | 1    | <b>GASKET KIT: ENGINE, INTAKE, EXHAUST</b> | <b>JUEGO DE EMPAQUETADURA - MOTOR, ADMISIÓN, ESCAPE</b> |


**ENGINE COVER**  
**CUBIERTA DE MOTOR**

| NO. | PART NUMBER | QTY. | DESCRIPTION     | DESCRIPCIÓN       |
|-----|-------------|------|-----------------|-------------------|
| 1   | A160003261  | 1    | COVER, ENGINE   | CUBIERTA DE MOTOR |
| 2   | V805000150  | 1    | BOLT, TORX 5x16 | PERNO TORX 5x16   |
| 3   | V805000000  | 1    | BOLT, TORX 5x16 | PERNO TORX 5x16   |

**CARBURETOR - RB-110128D**

CARBURADOR - RB-110128D

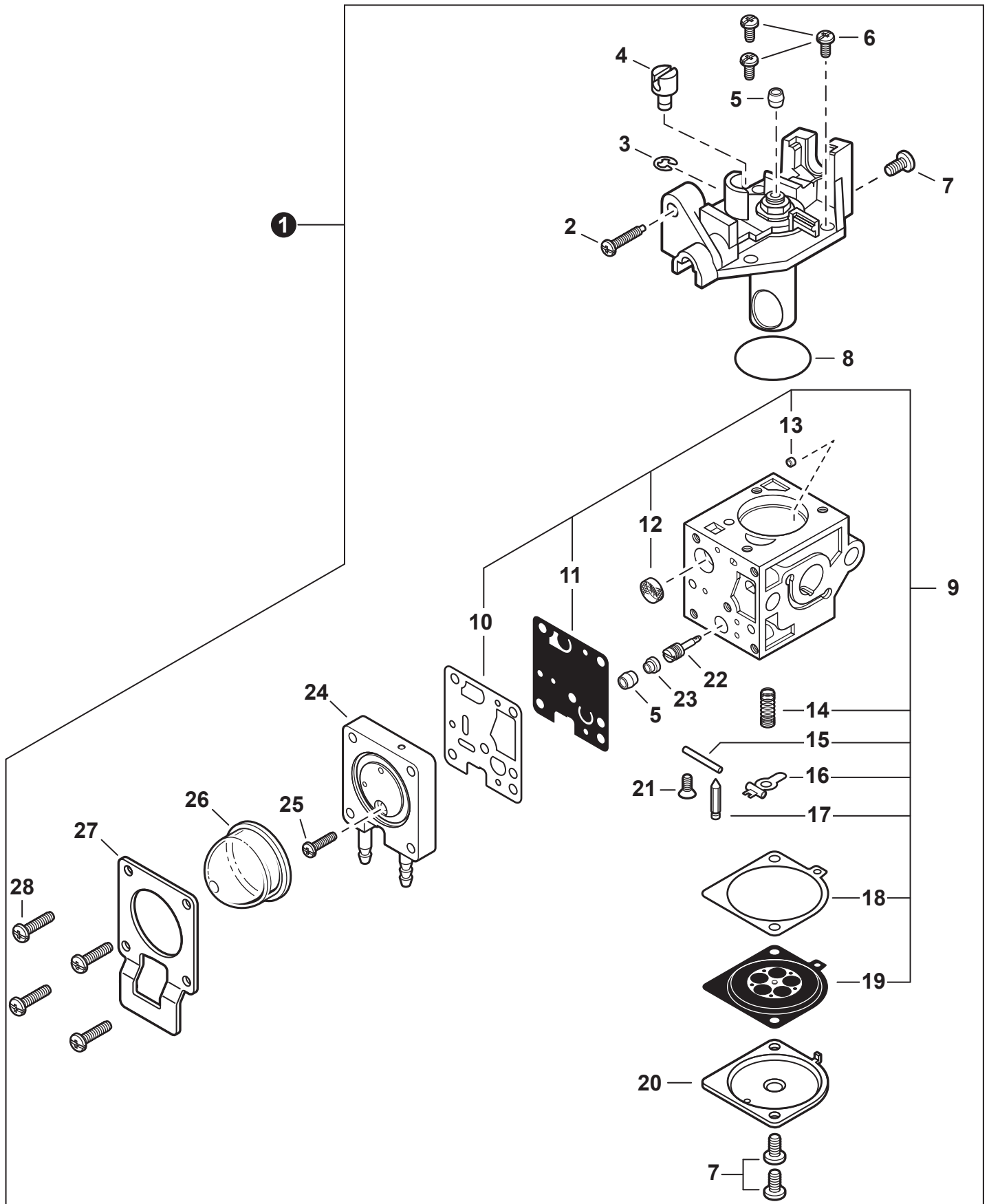


**CARBURETOR - RB-110128D**

CARBURADOR - RB-110128D

| NO.       | PART NUMBER       | QTY.     | DESCRIPTION                    | DESCRIPCIÓN                                 |
|-----------|-------------------|----------|--------------------------------|---|
| <b>1</b>  | <b>A021004580</b> | <b>1</b> | <b>CARBURETOR RB-110128D</b>   | <b>CARBURADOR RB-110128D</b>                |
| 2         | P005000100        | 1        | +SCREW, IDLE ADJUST            | +TORNILLO PARA AJUSTAR EL RALENTI           |
| 3         | P005000190        | 1        | +E-RING                        | +RETENEDOR TIPO "E"                         |
| 4         | P005002090        | 1        | +SWIVEL                        | +CONECTOR GIRATORIO                         |
| 5         | 12534413931       | 3        | +SCREW                         | +TORNILLO                                   |
| 6         | 12534452130       | 3        | +SCREW                         | +TORNILLO                                   |
| 7         | P005002460        | 1        | +COVER ASSY, ROTOR             | +MONTAJE DE CUBIERTA DE ROTOR               |
| 8         | P005000280        | 1        | +O-RING                        | +JUNTA TÓRICA                               |
| 9         | P005003500        | 1        | +NEEDLE, MIXTURE               | +AGUJA DE REGULACION                        |
| 10        | P005001250        | 1        | +CAP, LIMITER                  | +PROTECTOR DE TORNILLO                      |
| 11        | P005001270        | 2        | +PLUG                          | +TAPÓN                                      |
| 12        | 12533942030       | 1        | +SCREW                         | +TORNILLO                                   |
| 13        | P005002480        | 1        | +BODY ASSY, PURGE              | +MONTAJE DE CUERPO DE PURGA                 |
| 14        | P005000270        | 1        | +SCREW                         | +TORNILLO                                   |
| 15        | P005003110        | 1        | +BULB, PURGE                   | +BULBO DE PURGA                             |
| 16        | P005000250        | 1        | +RETAINER, PURGE BULB          | +RETENEDOR DE BULBO DE PURGA                |
| 17        | P005001900        | 4        | +SCREW                         | +TORNILLO                                   |
| 18        | 12534252130       | 1        | +COVER, METERING DIAPHRAGM     | +TAPA DE DIAFRAGMA DE MEDICIÓN              |
| <b>19</b> | <b>P005003750</b> | <b>1</b> | <b>+REPAIR KIT, CARBURETOR</b> | <b>+JUEGO DE REPARACIÓN DE CARBURADOR</b>   |
| 20        |                   | 1        | ++GASKET, PUMP                 | ++EMPAQUETADURA DE LA BOMBA                 |
| 21        |                   | 1        | ++DIAPHRAGM, PUMP              | ++DIAFRAGMA DE LA BOMBA                     |
| 22        |                   | 1        | ++SCREEN, FUEL INLET           | ++MALLA FILTRADORA                          |
| 23        |                   | 1        | ++GUIDE, ROLLER                | ++GUÍA DE RODILLO                           |
| 24        |                   | 1        | ++SPRING, METERING LEVER       | ++RESORTE PALANCA DE MEDICIÓN               |
| 25        |                   | 1        | ++PIN, METERING LEVER          | ++PASADOR DE PALANCA DE MEDICIÓN            |
| 26        |                   | 1        | ++LEVER, METERING              | ++PALANCA DE MEDICIÓN                       |
| 27        |                   | 1        | ++VALVE, INLET NEEDLE          | ++VÁLVULA REGULADORA                        |
| 28        |                   | 1        | ++GASKET, METERING DIAPHRAGM   | ++EMPAQUETADURA DIAFRAGMA DE MEDICIÓN       |
| 29        |                   | 1        | ++DIAPHRAGM, METERING          | ++DIAFRAGMA DE MEDICIÓN                     |
| <b>30</b> | <b>P005003740</b> | <b>1</b> | <b>+GASKET / DIAPHRAGM KIT</b> | <b>+JUEGO DE EMPAQUETADURA / DIAFRAGMAS</b> |
| 31        |                   | 1        | ++GASKET, PUMP                 | ++EMPAQUETADURA DE LA BOMBA                 |
| 32        |                   | 1        | ++DIAPHRAGM, PUMP              | ++DIAFRAGMA DE LA BOMBA                     |
| 33        |                   | 1        | ++GASKET, METERING DIAPHRAGM   | ++EMPAQUETADURA DIAFRAGMA DE MEDICIÓN       |
| 34        |                   | 1        | ++DIAPHRAGM, METERING          | ++DIAFRAGMA DE MEDICIÓN                     |

**CARBURETOR - GL-3A**  
CARBURADOR - GL-3A



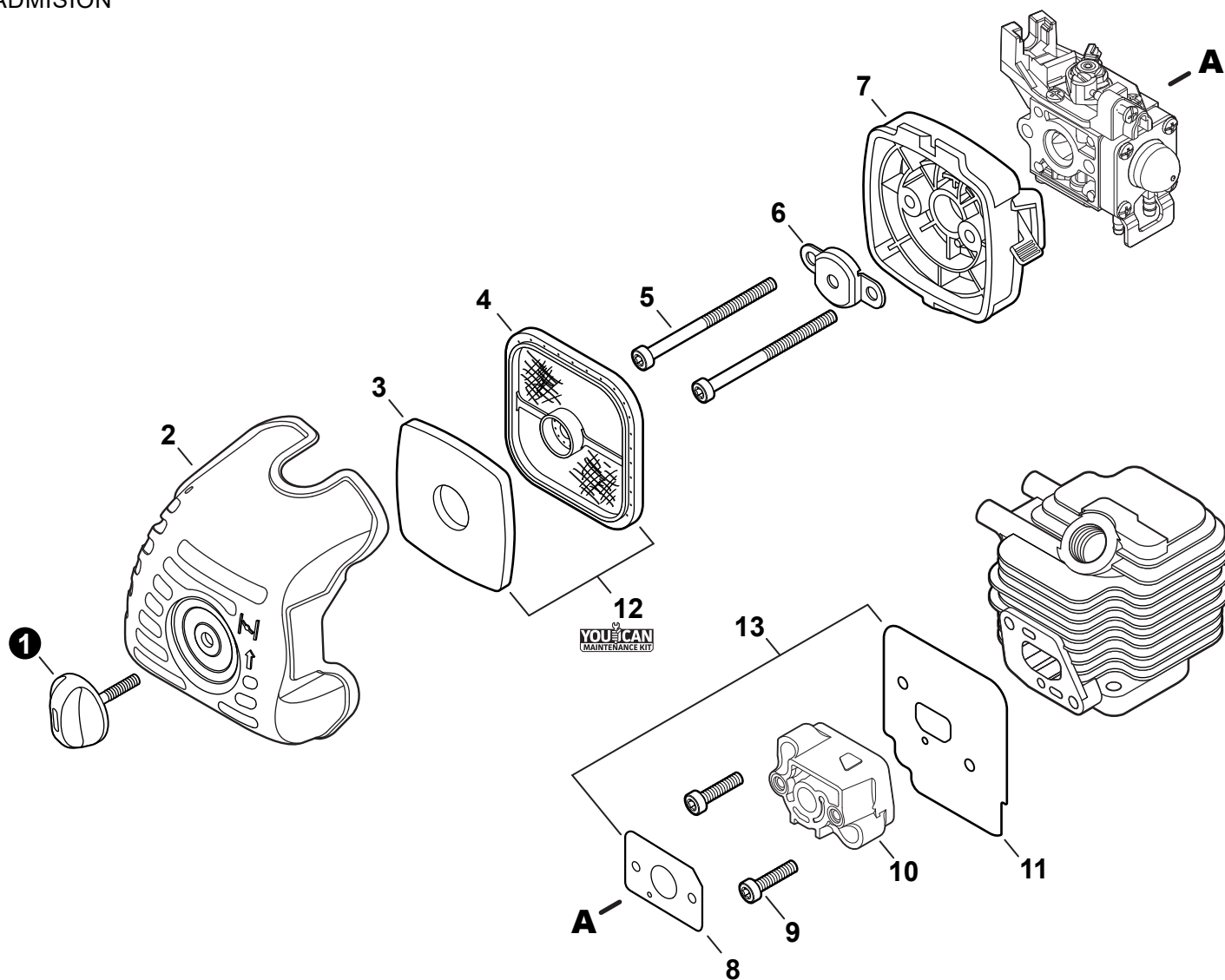
**CARBURETOR - GL-3A**

CARBURADOR - GL-3A

| NO.      | PART NUMBER       | QTY.     | DESCRIPTION                  | DESCRIPCIÓN                                |
|----------|-------------------|----------|------------------------------|--|
| <b>1</b> | <b>A021004801</b> | <b>1</b> | <b>CARBURETOR - GL-3A</b>    | <b>CARBURADOR - GL-3A</b>                  |
| 2        | A941000010        | 1        | +SCREW, THROTTLE ADJUST      | +TORNILLO AJUSTE DE TENSION DEL ACELERADOR |
| 3        | A928000000        | 1        | +E-RING                      | +RETENEDOR TIPO "E"                        |
| 4        | A927000010        | 1        | +SWIVEL                      | +CONECTOR GIRATORIO                        |
| 5        | A259000060        | 2        | +PLUG                        | +TAPÓN                                     |
| 6        | A913000060        | 3        | +SCREW                       | +TORNILLO                                  |
| 7        | A913000090        | 3        | +SCREW                       | +TORNILLO                                  |
| 8        | A937000000        | 1        | +O-RING                      | +JUNTA TÓRICA                              |
| <b>9</b> | <b>P021052570</b> | <b>1</b> | <b>+REPAIR KIT</b>           | <b>+JUEGO DE REPARACIÓN</b>                |
| 10       |                   | 1        | ++GASKET, PUMP               | ++EMPAQUETADURA DE LA BOMBA                |
| 11       |                   | 1        | ++DIAPHRAGM, PUMP            | ++DIAFRAGMA DE LA BOMBA                    |
| 12       |                   | 1        | ++SCREEN, FUEL INLET         | ++MALLA FILTRADORA                         |
| 13       |                   | 1        | ++GUIDE, ROLLER              | ++GUÍA DE RODILLO                          |
| 14       |                   | 1        | ++SPRING, METERING LEVER     | ++RESORTE PALANCA DE MEDICIÓN              |
| 15       |                   | 1        | ++PIN, METERING LEVER        | ++PASADOR DE PALANCA DE MEDICIÓN           |
| 16       |                   | 1        | ++LEVER, METERING            | ++PALANCA DE MEDICIÓN                      |
| 17       |                   | 1        | ++VALVE, INLET NEEDLE        | ++VÁLVULA REGULADORA                       |
| 18       |                   | 1        | ++GASKET, METERING DIAPHRAGM | ++EMPAQUETADURA DIAFRAGMA DE MEDICIÓN      |
| 19       |                   | 1        | ++DIAPHRAGM, METERING        | ++DIAFRAGMA DE MEDICIÓN                    |
| 20       | A936000010        | 1        | +COVER, METERING DIAPHRAGM   | +TAPA DE DIAFRAGMA DE MEDICIÓN             |
| 21       | A913000050        | 1        | +SCREW                       | +TORNILLO                                  |
| 22       | A939000010        | 1        | +NEEDLE, HIGH SPEED          | +AGUJA DE REGULACION ALTA (H)              |
| 23       | A940000010        | 1        | +CAP, LIMITER                | +PROTECTOR DE TORNILLO                     |
| 24       | A944000020        | 1        | +BODY ASSY, PURGE            | +MONTAJE DE CUERPO DE PURGA                |
| 25       | A913000070        | 1        | +SCREW                       | +TORNILLO                                  |
| 26       | A914000010        | 1        | +BULB, PURGE                 | +BULBO DE PURGA                            |
| 27       | A915000000        | 1        | +RETAINER, PURGE BULB        | +RETENEDOR DE BULBO DE PURGA               |
| 28       | A913000080        | 4        | +SCREW                       | +TORNILLO                                  |

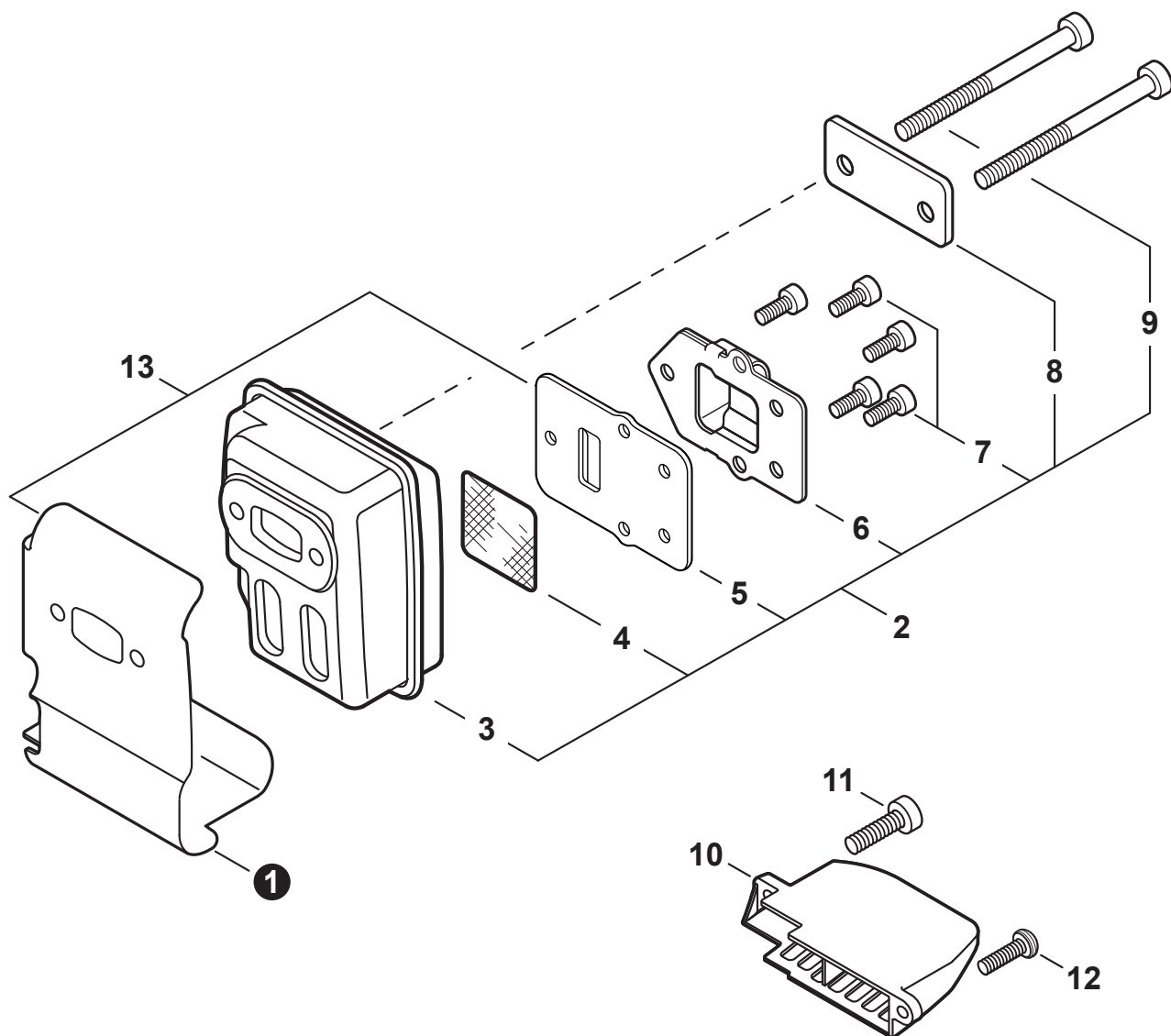
## INTAKE

## ADMISIÓN



| NO. | PART NUMBER | QTY. | DESCRIPTION                         | DESCRIPCIÓN                                      |
|-----|-------------|------|-------------------------------------|--|
| 1   | V299000520  | 1    | THUMBSCREW                          | TORNILLO DE OREJETAS                             |
| 2   | A232001860  | 1    | COVER, AIR FILTER                   | CUBIERTA DEL FILTRO DE AIRE                      |
| 3   | A226001790  | 1    | PRE-FILTER, FOAM                    | PRÉ-FILTRO DE ESPUMA                             |
| 4   | A226001410  | 1    | FILTER, AIR - DOUBLE LAYER          | FILTRO DE AIRE - CAPA DOBLE                      |
| 5   | V805000090  | 2    | BOLT, TORX 5x55                     | PERNO TORX 5x55                                  |
| 6   | 12901152730 | 1    | PLATE, PREVENT                      | PLACA DE PREVENCIÓN                              |
| 7   | P021043650  | 1    | CASE, AIR FILTER                    | CAJA DEL FILTRO DE AIRE                          |
| 8   | V103002190  | 1    | GASKET, INTAKE                      | EMPAQUETADURA DE ADMISIÓN                        |
| 9   | V805000160  | 2    | BOLT, TORX 5x20                     | PERNO TORX 5x20                                  |
| 10  | A200001120  | 1    | INSULATOR, INTAKE                   | AISLADOR DE ADMISIÓN                             |
| 11  | V103001360  | 1    | HEAT SHIELD, INTAKE                 | PROTECTOR TÉRMICO DEL ADMISIÓN                   |
| 12  | 84015Y      | 1    | TUNE-UP KIT - YOUCAN™               | JUEGO DE PUESTA A PUNTO - YOUCAN™                |
| 13  | P021051670  | 1    | GASKET KIT: ENGINE, INTAKE, EXHAUST | JUEGO DE EMPAQUETADURA - MOTOR, ADMISIÓN, ESCAPE |

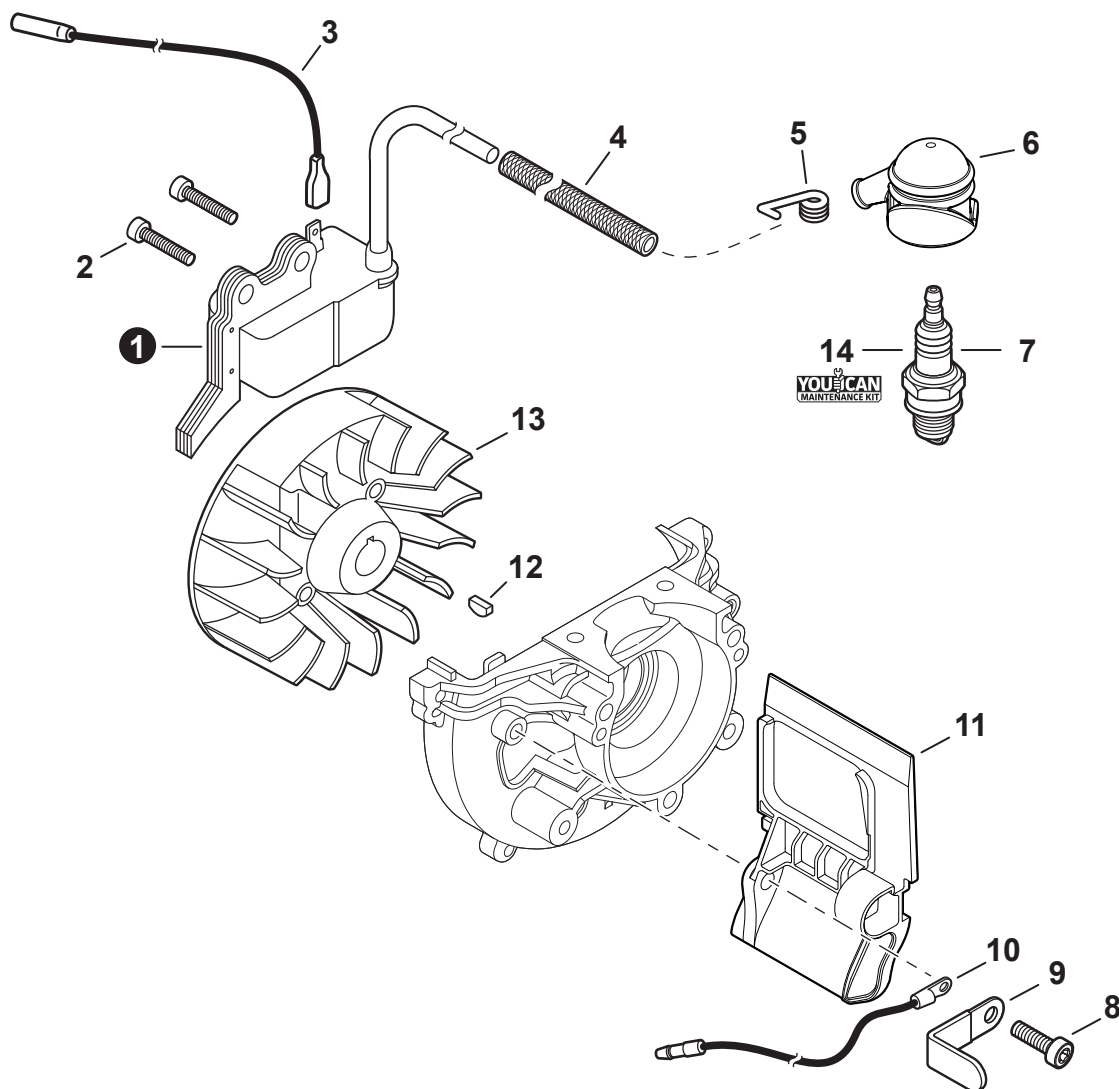


**EXHAUST**  
 ESCAPE


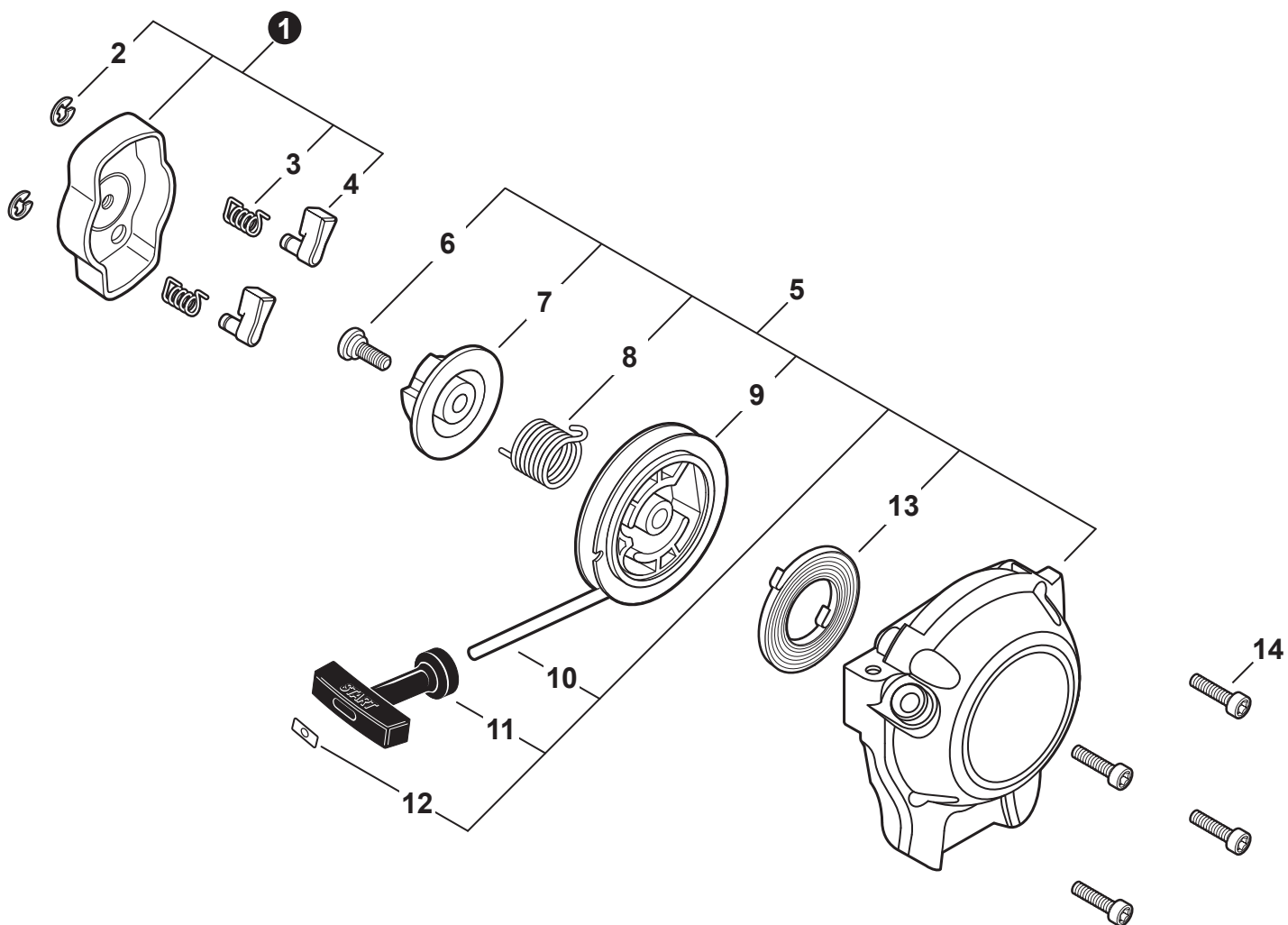
| NO. | PART NUMBER       | QTY.     | DESCRIPTION                                | DESCRIPCIÓN   |
|-----|-------------------|----------|--|---|
| 1   | V104000850        | 1        | HEAT SHIELD, EXHAUST                       | PROTECTOR TÉRMICO DEL ESCAPE                            |
| 2   | <b>P021036112</b> | <b>1</b> | <b>MUFFLER ASSY</b>                        | <b>MONTAJE DE SILENCIADOR</b>                           |
| 3   | A300000811        | 1        | +MUFFLER                                   | +SILENCIADOR  |
| 4   | 14586240630       | 1        | +SCREEN, SPARK ARRESTER                    | +SUPRESOR DE CHISPAS                                    |
| 5   | V104001761        | 1        | +GASKET, EXHAUST                           | +EMPAQUETADURA DE ESCAPE                                |
| 6   | A313000600        | 1        | +GUIDE, EXHAUST                            | +GUÍA DE ESCAPE   |
| 7   | V804000030        | 5        | +BOLT, TORX 4x8                            | +PERNO TORX 4x8   |
| 8   | V150000371        | 1        | +PLATE, EYE                                | +PLACA  |
| 9   | V805000190        | 2        | +BOLT, TORX 5x55                           | +PERNO TORX 5x55  |
| 10  | A320000480        | 1        | COVER, MUFFLER                             | CUBIERTA DEL SILENCIADOR                                |
| 11  | V805000150        | 1        | BOLT, TORX 5x16                            | PERNO TORX 5x16   |
| 12  | V805000000        | 1        | BOLT, TORX 5x16                            | PERNO TORX 5x16   |
| 13  | <b>P021051670</b> | <b>1</b> | <b>GASKET KIT: ENGINE, INTAKE, EXHAUST</b> | <b>JUEGO DE EMPAQUETADURA - MOTOR, ADMISIÓN, ESCAPE</b> |

## IGNITION

## ENCENDIDO



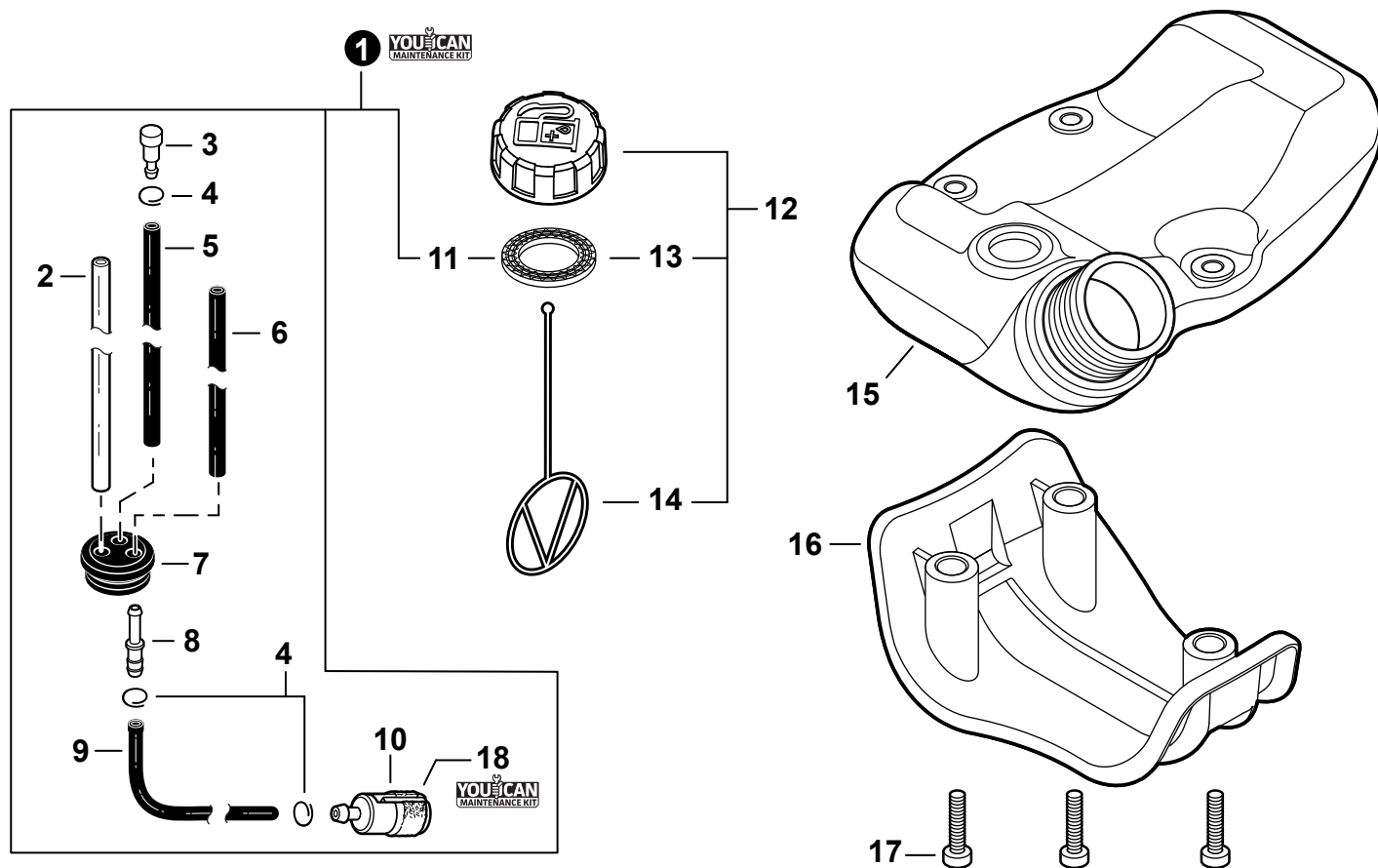
| NO. | PART NUMBER | QTY. | DESCRIPTION            | DESCRIPCIÓN                       |
|-----|-------------|------|------------------------|-----------------------------------|
| 1   | A411001690  | 1    | COIL, IGNITION         | BOBINA DE ENCENDIDO               |
| 2   | V804000070  | 2    | BOLT, TORX 4x20        | PERNO TORX 4x20                   |
| 3   | V485001120  | 1    | LEAD - IGNITION L= 210 | CABLE DE ENCENDIDO L= 210         |
| 4   | V475007510  | 1    | TUBE, INSULATOR        | TUBO AISLANTE                     |
| 5   | A426000010  | 1    | TERMINAL, SPARK PLUG   | TERMINAL DE BUJÍA                 |
| 6   | A427000210  | 1    | CAP, SPARK PLUG        | TAPA DE BUJÍA                     |
| 7   | A425000000  | 1    | SPARK PLUG - BPMR8Y    | BUJÍA - BPMR8Y                    |
| 8   | V805000140  | 1    | BOLT, TORX 5x12        | PERNO TORX 5x12                   |
| 9   | 15911621231 | 1    | CLAMP                  | ABRAZADERA                        |
| 10  | 16201427230 | 1    | LEAD - GROUND L= 115   | CABLE DE TIERRA L= 115            |
| 11  | A209000990  | 1    | PLATE, INSULATOR       | PLACA AISLANTE                    |
| 12  | 10014212330 | 1    | KEY, WOODRUFF          | CHAVETA WOODRUFF                  |
| 13  | A409001310  | 1    | FLYWHEEL               | VOLANTE                           |
| 14  | 84015Y      | 1    | TUNE-UP KIT - YOUCAN™  | JUEGO DE PUESTA A PUNTO - YOUCAN™ |

**STARTER**  
 ARRANCADOR


| NO.      | PART NUMBER       | QTY.     | DESCRIPTION                 | DESCRIPCIÓN                                 |
|----------|-------------------|----------|-----------------------------|---|
| <b>1</b> | <b>A052000180</b> | <b>1</b> | <b>PAWL ASSY, STARTER</b>   | <b>MONTAJE DE TRINQUETE</b>                 |
| 2        | P022002100        | 2        | +E-RING 4                   | +RETENEDOR TIPO "E" 4                       |
| 3        | 17723412220       | 2        | +SPRING, RETURN             | +RESORTE DE RETORNO                         |
| 4        | P022006850        | 2        | +PAWL, STARTER              | +TRINQUETE                                  |
| <b>5</b> | <b>A051001322</b> | <b>1</b> | <b>STARTER ASSY, RECOIL</b> | <b>MONTAJE DE ARRANCADOR AUTORRETRÁCTIL</b> |
| 6        | V253000310        | 1        | +SCREW 5                    | +TORNILLO 5                                 |
| 7        | A525000020        | 1        | +PLATE, CAM                 | +PLACA DE LEVA                              |
| 8        | P022008270        | 1        | +SPRING, TORSION            | +RESORTE DE TORSIÓN                         |
| 9        | A506000500        | 1        | +REEL, ROPE                 | +CARRETE DE CUERDA                          |
| 10       | P022008260        | 1        | +ROPE, STARTER 3x700        | +CUERDA DEL ARRANCADOR 3x700                |
| 11       | 17722827030       | 1        | +GRIP, STARTER              | +AGARRE DEL ARRANCADOR                      |
| 12       | P022037670        | 1        | +RETAINER, ROPE             | +RETENEDOR DE CUERDA                        |
| 13       | P022019680        | 1        | +SPRING, RECOIL             | +RESORTE RECCULAR                           |
| 14       | V804000060        | 4        | BOLT, TORX 4x16             | PERNO TORX 4x16                             |

**FUEL SYSTEM**

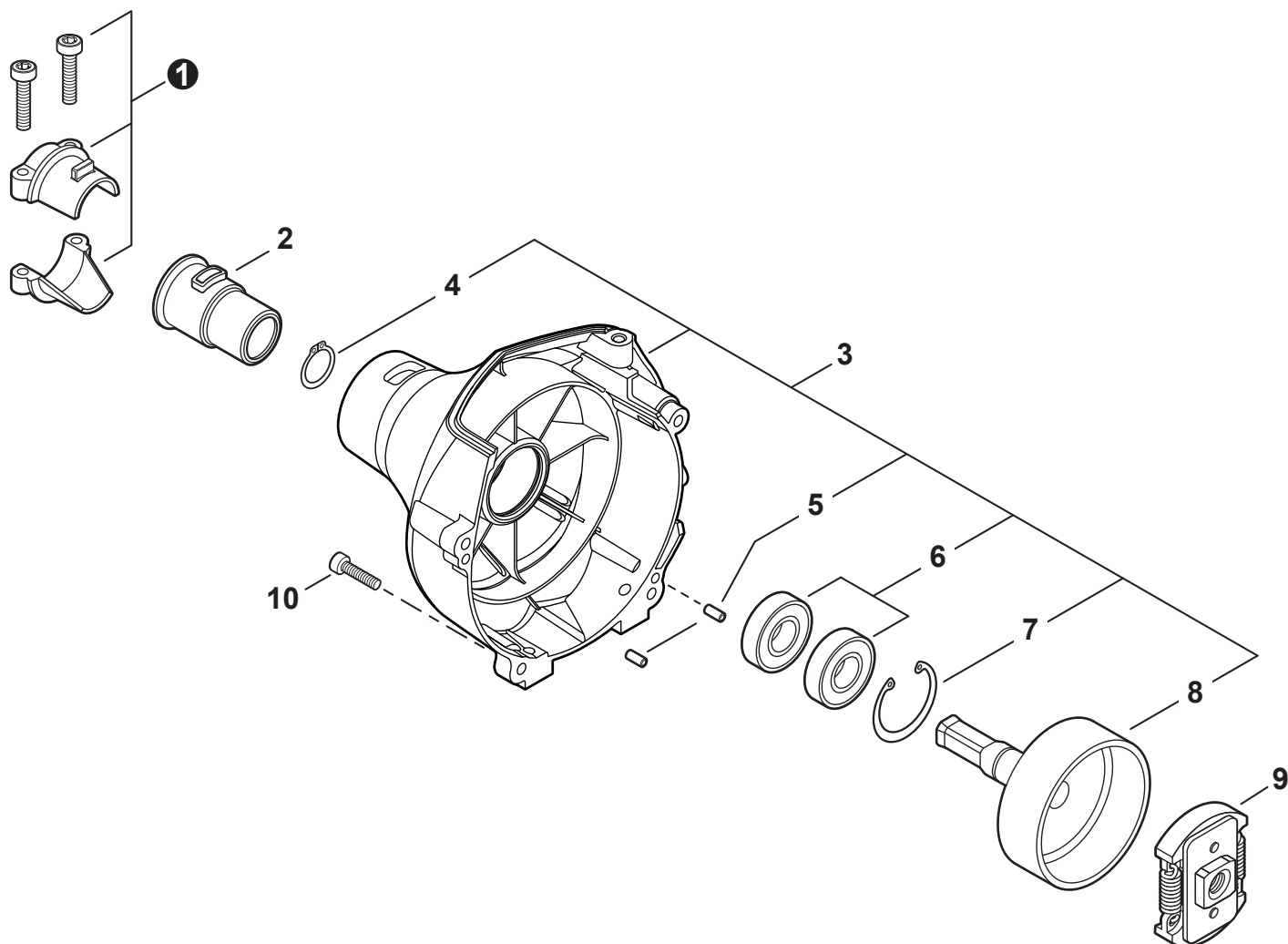
## SISTEMA DE COMBUSTIBLE



| NO.       | PART NUMBER       | QTY.     | DESCRIPTION                      | DESCRIPCIÓN                                     |
|-----------|-------------------|----------|----------------------------------|---|
| <b>1</b>  | <b>84025Y</b>     | <b>1</b> | <b>FUEL SYSTEM KIT - YOUCAN™</b> | <b>KIT DEL SISTEMA DE COMBUSTIBLE - YOUCAN™</b> |
| 2         | 13201256030       | 1        | +PIPE, FUEL 3x6x80 YELLOW        | +TUBO DE COMBUSTIBLE 3x6x80 AMARILLO            |
| 3         | A356000031        | 1        | +VENT ASSY                       | +VÁLVULA DE RESPIRADERO                         |
| 4         | V490001240        | 3        | +CLIP 6                          | +SUJETADOR 6                                    |
| 5         | V471001211        | 1        | +PIPE, FUEL 3x5x90 BLACK         | +TUBO DE COMBUSTIBLE 3x5x90 NEGRO               |
| 6         | V471005620        | 1        | +PIPE, FUEL 3x5.5x74 BLACK       | +TUBO DE COMBUSTIBLE 3x5.5x74 NEGRO             |
| 7         | 13211546730       | 1        | +GROMMET, FUEL 5                 | +OJAL DE COMBUSTIBLE 5                          |
| 8         | V186000520        | 1        | +CONNECTOR, PIPE 5x3.5           | +CONECTOR DE TUBO 5x3.5                         |
| 9         | V470002460        | 1        | +PIPE, FUEL 3x5x90L BLACK        | +TUBO DE COMBUSTIBLE 3x5x90L NEGRO              |
| 10        | A369000480        | 1        | +FILTER, FUEL                    | +FILTRO DE COMBUSTIBLE                          |
| 11        | V107000150        | 1        | +GASKET, FUEL CAP                | +EMPAQUETADURA DE TAPA DE COMBUSTIBLE           |
| <b>12</b> | <b>P021041930</b> | <b>1</b> | <b>CAP ASSY, FUEL</b>            | <b>MONTAJE DE TAPA DE COMBUSTIBLE</b>           |
| 13        | V107000150        | 1        | +GASKET, FUEL CAP                | +EMPAQUETADURA DE TAPA DE COMBUSTIBLE           |
| 14        | A365000060        | 1        | +CONNECTOR, CAP L= 123           | +CONECTOR DE TAPA L= 123                        |
| 15        | A350002281        | 1        | TANK ASSY, FUEL                  | MONTAJE DE TANQUE DE COMBUSTIBLE                |
| 16        | A175000070        | 1        | GUARD, FUEL TANK                 | PROTECTOR, TANQUE DE COMBUSTIBLE                |
| 17        | V805000170        | 3        | BOLT, TORX 5x25                  | PERNO TORX 5x25                                 |
| <b>18</b> | <b>84015Y</b>     | <b>1</b> | <b>TUNE-UP KIT - YOUCAN™</b>     | <b>JUEGO DE PUESTA A PUNTO - YOUCAN™</b>        |

## FAN COVER / CLUTCH

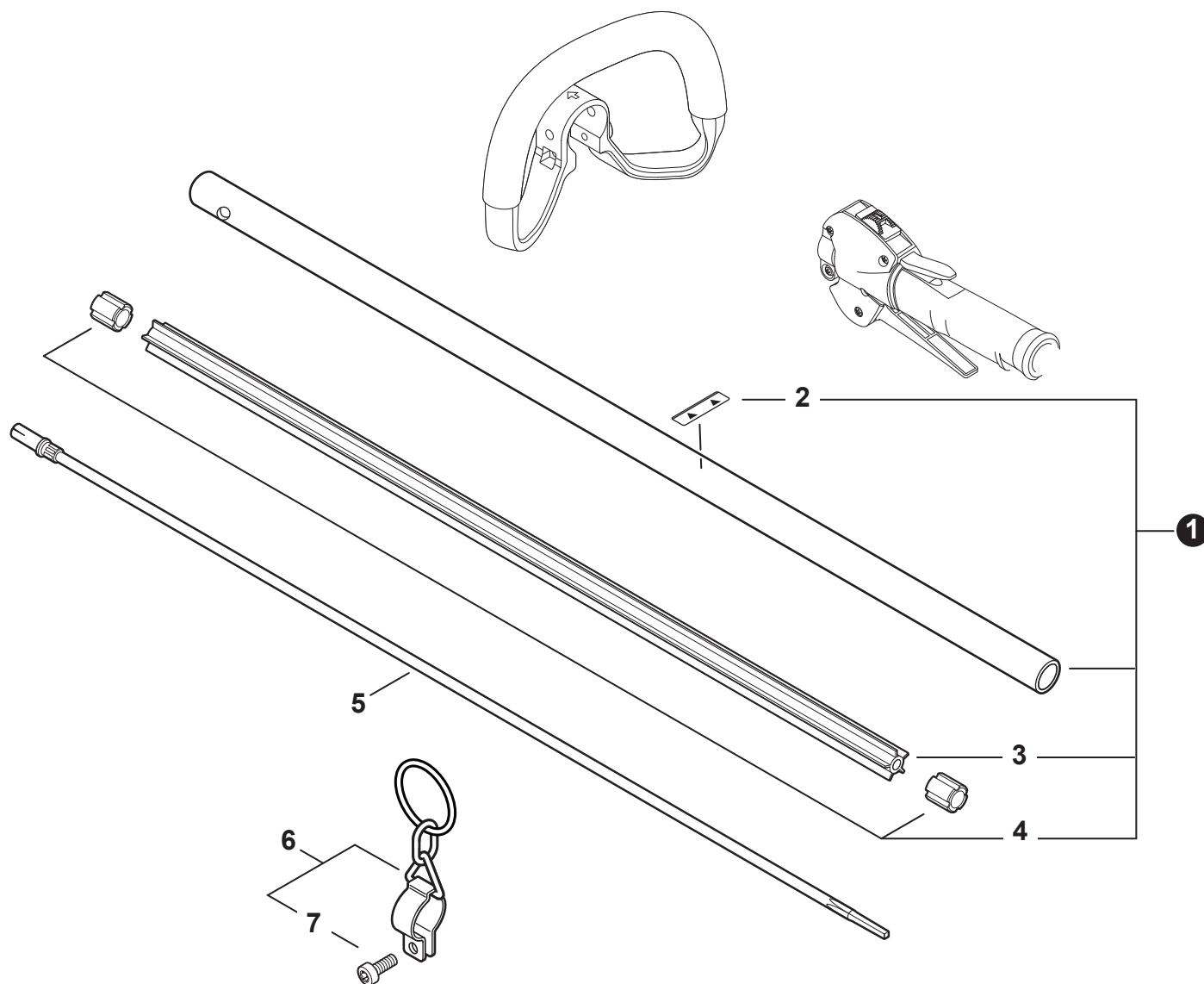
CUBIERTA DEL VENTILADOR / EMBRAGUE



| NO.      | PART NUMBER       | QTY.     | DESCRIPTION            | DESCRIPCIÓN                              |
|----------|-------------------|----------|------------------------|--|
| 1        | P021043640        | 1        | HOLDER KIT             | JUEGO DE SUJETADOR                       |
| 2        | 61091055230       | 1        | CUSHION 25             | AMORTIGUADOR 25                          |
| <b>3</b> | <b>P021051500</b> | <b>1</b> | <b>COVER ASSY, FAN</b> | <b>MONTAJE DE CUBIERTA DE VENTILADOR</b> |
| 4        | 90070100012       | 1        | +RING, SNAP 12         | +ANILLO RETENEDOR 12                     |
| 5        | 90033040080       | 2        | +PIN, LOCATING 4x8     | +PASADOR DE POSICIONAMIENTO 4x8          |
| 6        | 9407806001        | 2        | +BEARING, BALL         | +COJINETE DE BOLAS                       |
| 7        | 90070200028       | 1        | +RING, SNAP 28         | +ANILLO RETENEDOR 28                     |
| 8        | A556001740        | 1        | +DRUM, CLUTCH          | +TAMBOR DE EMBRAGUE                      |
| 9        | A056000820        | 1        | CLUTCH ASSY            | MONTAJE DE EMBRAGUE                      |
| 10       | V804000060        | 4        | BOLT, TORX 4x16        | PERNO TORX 4x16                          |

**MAIN PIPE**

TUBO PRINCIPAL



| NO. | PART NUMBER | QTY. | DESCRIPTION           | DESCRIPCIÓN                |
|-----|-------------|------|-----------------------|----------------------------|
| 1   | C050003280  | 1    | MAIN PIPE ASSY        | MONTAJE DE TUBO PRINCIPAL  |
| 2   | 89015204930 | 1    | +LABEL - ALIGNMENT    | +ETIQUETA - ALINEACIÓN     |
| 3   | C507000230  | 1    | +LINER - FLEXIBLE     | +FORRO - FLEXIBLE          |
| 4   | 61024644730 | 2    | +STOPPER              | +RETENEDOR                 |
| 5   | C506000550  | 1    | DRIVESHAFT - FLEXIBLE | EJE DE MANDO - FLEXIBLE    |
| 6   | P021051240  | 1    | HANGER SET, HARNESS   | JUEGO DE COLGADOR DE ARNÉS |
| 7   | V805000140  | 1    | +BOLT, TORX 5x12      | +PERNO TORX 5x12           |

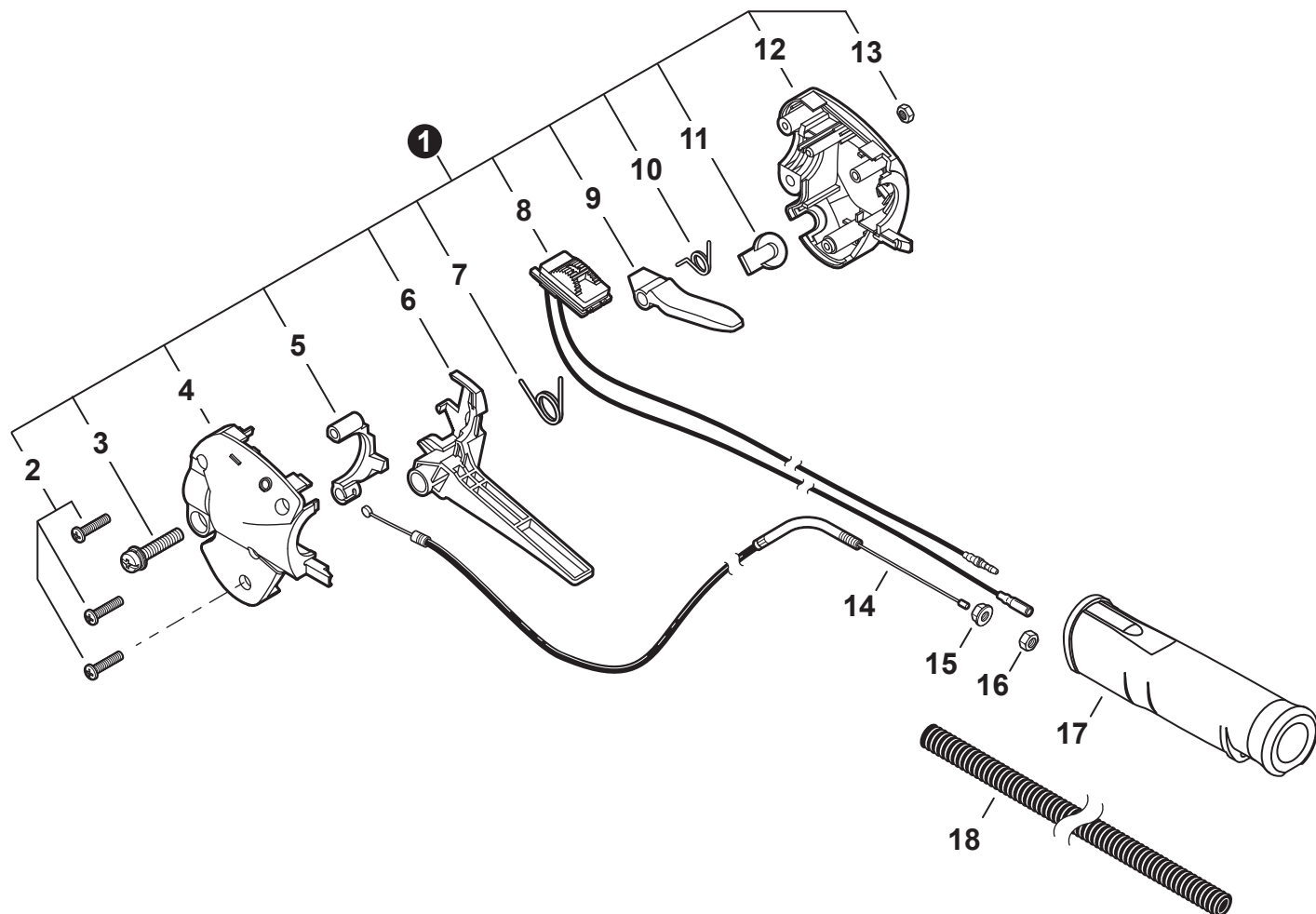
+ Denotes item is part of an assembly  
 ++ Denotes item is part of a sub-assembly

+ Denota artículo forma parte de una asamblea  
 ++ Denota artículo forma parte de un submontaje

Effective 03/22/22

## THROTTLE CONTROL

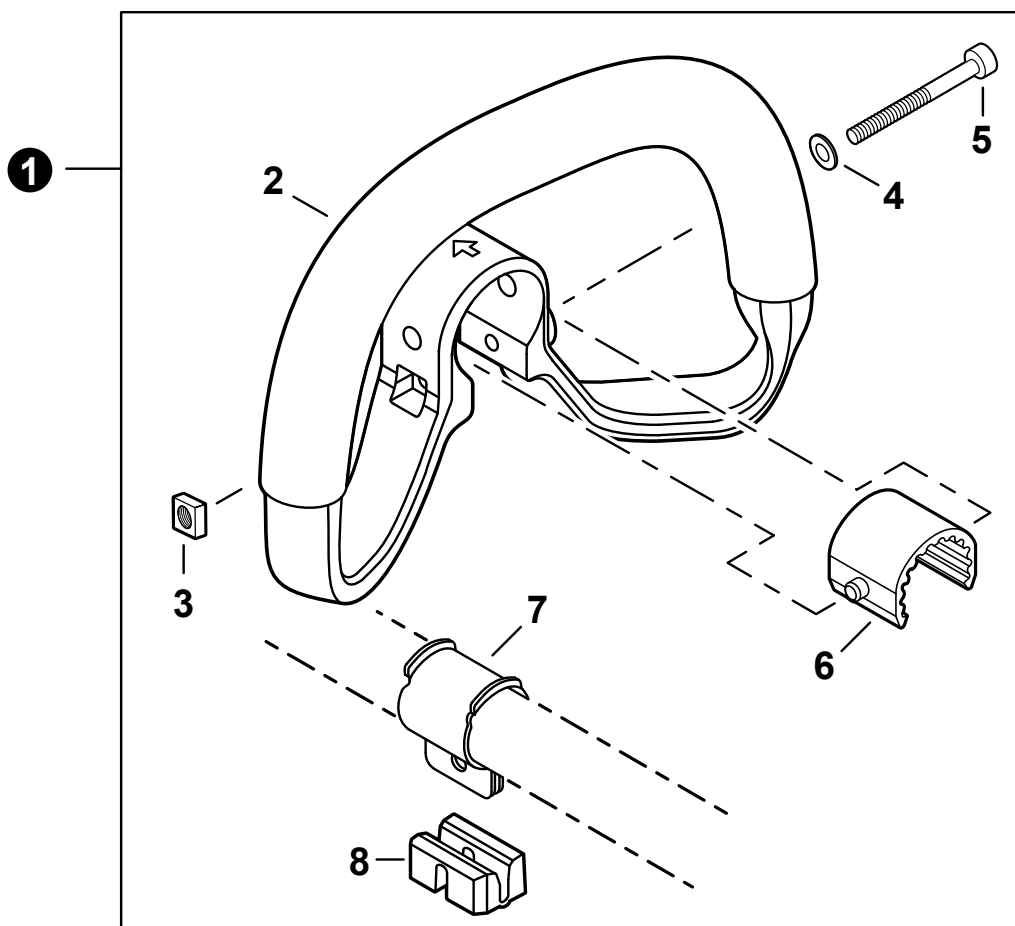
### CONTROL DEL ACELERADOR



| NO. | PART NUMBER | QTY. | DESCRIPTION               | DESCRIPCIÓN                       |
|-----|-------------|------|---------------------------|-----------------------------------|
| 1   | P021043720  | 1    | THROTTLE CONTROL ASSY     | MONTAJE DE CONTROL DE ACELERADOR  |
| 2   | P022032480  | 3    | +SCREW                    | +TORNILLO                         |
| 3   | V805000150  | 1    | +BOLT, TORX 5x16          | +PERNO TORX 5x16                  |
| 4   | P022025700  | 1    | +CONTROL HANDLE - LEFT    | +MANGO DE CONTROL IZQUIERDO       |
| 5   | C461000020  | 1    | +LOCKOUT, THROTTLE        | +SEGURO DEL ACELERADOR            |
| 6   | C450000480  | 1    | +TRIGGER, THROTTLE        | +GATILLO DEL ACELERADOR           |
| 7   | P022025820  | 1    | +SPRING, THROTTLE RETURN  | +RESORTE DEL ACELERADOR           |
| 8   | P022035260  | 1    | +SWITCH, ON-OFF           | +INTERRUPTOR DE ENCENDIDO-APAGADO |
| 9   | C460000190  | 1    | +LEVER, THROTTLE LOCKOUT  | +PALANCA SEGURO DEL ACELERADOR    |
| 10  | V452000500  | 1    | +SPRING, THROTTLE LOCKOUT | +RESORTE SEGURO DEL ACELERADOR    |
| 11  | P022025790  | 1    | +PLUG                     | +TAPÓN                            |
| 12  | P022035250  | 1    | +CONTROL HANDLE - RIGHT   | +MANGO DE CONTROL DERECHO         |
| 13  | 90050000005 | 1    | +NUT M5                   | +TUERCA M5                        |
| 14  | V430004510  | 1    | CABLE, THROTTLE           | CABLE DEL ACELERADOR              |
| 15  | 90051800006 | 1    | NUT, FLANGE M6            | TUERCA-BRIDA M6                   |
| 16  | 90050200006 | 1    | NUT M6                    | TUERCA M6                         |
| 17  | C403000612  | 1    | GRIP, HANDLE              | AGARRE                            |
| 18  | V475007800  | 1    | TUBE, PROTECTIVE          | TUBO DE PROTECCIÓN                |

**HANDLE - SUPPORT**

MANGO DE SOPORTE



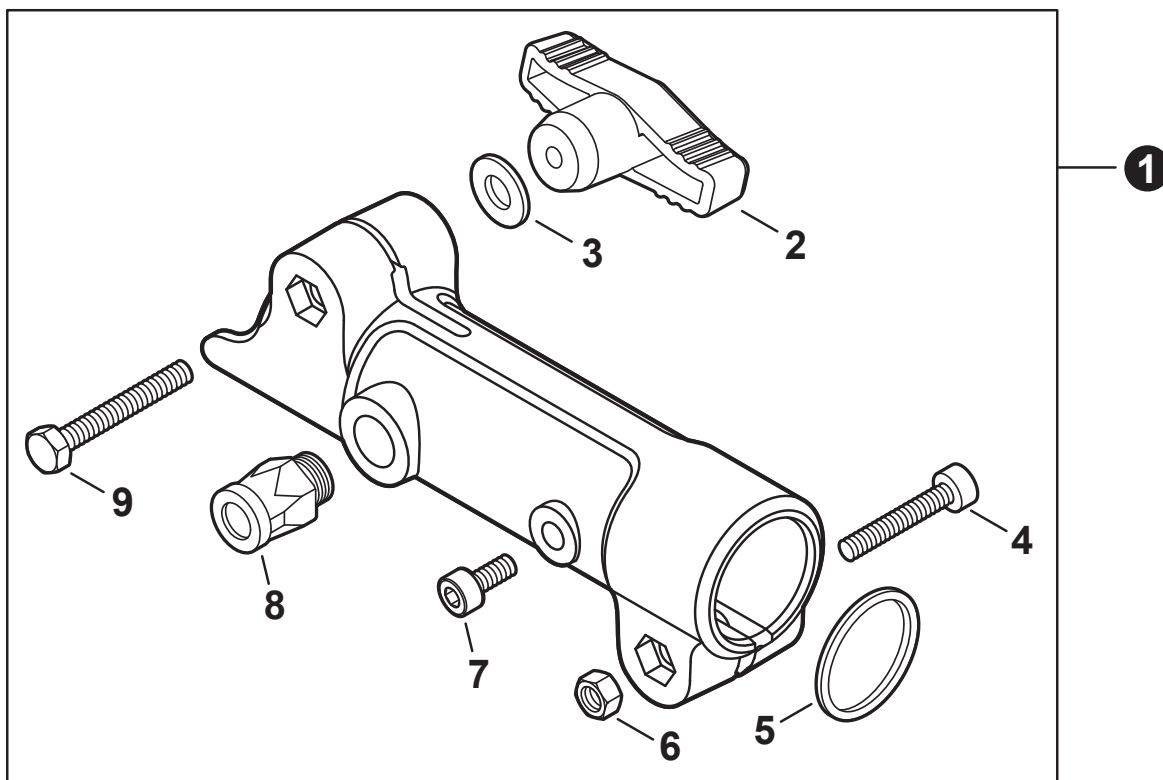
| NO.      | PART NUMBER       | QTY.     | DESCRIPTION                  | DESCRIPCIÓN                        |
|----------|-------------------|----------|------------------------------|------------------------------------|
| <b>1</b> | <b>P021047682</b> | <b>1</b> | <b>HANDLE ASSY - SUPPORT</b> | <b>MONTAJE DE MANGO DE SOPORTE</b> |
| 2        | C400001021        | 1        | +HANDLE, SUPPORT             | +MANGO DE SOPORTE                  |
| 3        | V263000130        | 1        | +NUT M5                      | +TUERCA M5                         |
| 4        | 90060300005       | 1        | +WASHER 5.5x12x0.8           | +ARANDELA 5.5x12x0.8               |
| 5        | V805000280        | 1        | +BOLT, TORX 5x45             | +PERNO TORX 5x45                   |
| 6        | V420003700        | 1        | +CUSHION                     | +AMORTIGUADOR                      |
| 7        | C610000100        | 1        | +BRACKET, MOUNTING           | +SOPORTE DE MONTAJE                |
| 8        | C401000280        | 1        | +SPACER                      | +ESPACIADOR                        |

+ Denotes item is part of an assembly  
 ++ Denotes item is part of a sub-assembly

+ Denota artículo forma parte de una asamblea  
 ++ Denota artículo forma parte de un submontaje

Effective 03/22/22



**COUPLER**  
 UNIÓN


| NO. | PART NUMBER | QTY. | DESCRIPTION          | DESCRIPCIÓN             |
|-----|-------------|------|----------------------|-------------------------|
| 1   | C510000330  | 1    | <b>COUPLER ASSY</b>  | <b>MONTAJE DE UNIÓN</b> |
| 2   | V299000660  | 1    | +THUMBSCREW          | +TORNILLO DE OREJETAS   |
| 3   | V304000040  | 1    | +WASHER 6.6x20x1.6   | +ARANDELA 6.6x20x1.6    |
| 4   | V806000020  | 1    | +BOLT, TORX 6x25     | +PERNO TORX 6x25        |
| 5   | V312000010  | 1    | +WASHER 18 SPR STEEL | +ARANDELA 18            |
| 6   | 90051400006 | 1    | +NUT                 | +TUERCA                 |
| 7   | V805000130  | 1    | +BOLT, TORX 5x10     | +PERNO TORX 5x10        |
| 8   | 17830256630 | 1    | +LATCH ASSY          | +MONTAJE DE PESTILLO    |
| 9   | 9108506040  | 1    | +BOLT 6x40           | +PERNO 6x40             |

## LABELS

### ETIQUETAS



| NO. | PART NUMBER | QTY. | DESCRIPTION                 | DESCRIPCIÓN                     |
|-----|-------------|------|-----------------------------|---------------------------------|
| 1   | X532004970  | 1    | LABEL - SPARK PLUG - BPMR8Y | ETIQUETA DE BUJÍA BPMR8Y        |
| 2   | 89033252730 | 1    | LABEL - CHOKE               | ETIQUETA DEL ESTRANGULADOR      |
| 3   | X562000900  | 1    | LABEL - SHINDAIWA - M235    | ETIQUETA SHINDAIWA - M235       |
| 4   | X505008220  | 1    | LABEL - CAUTION - HOT       | ETIQUETA DE PRECAUCIÓN CALIENTE |

+ Denotes item is part of an assembly  
 ++ Denotes item is part of a sub-assembly

+ Denota artículo forma parte de una asamblea  
 ++ Denota artículo forma parte de un submontaje

Effective 03/22/22

## MAINTENANCE KITS

### JUEGOS DE MANTENIMIENTO

| NO.       | PART NUMBER       | QTY.     | DESCRIPTION                                | DESCRIPCIÓN   |
|-----------|-------------------|----------|--|---|
| <b>1</b>  | <b>P021051670</b> | <b>1</b> | <b>GASKET KIT: ENGINE, INTAKE, EXHAUST</b> | <b>JUEGO DE EMPAQUETADURA - MOTOR, ADMISIÓN, ESCAPE</b> |
| 2         | 10024242030       | 1        | +GASKET, CRANKCASE                         | +EMPAQUETADURA DE CÁRTER                                |
| 3         | 10101044332       | 1        | +GASKET, CYLINDER                          | +EMPAQUETADURA DE CILINDRO                              |
| 4         | V103002190        | 1        | +GASKET, INTAKE                            | +EMPAQUETADURA DE ADMISIÓN                              |
| 5         | V103001360        | 1        | +HEAT SHIELD, INTAKE                       | +PROTECTOR TÉRMICO DEL ADMISIÓN                         |
| 6         | V104000850        | <b>1</b> | +HEAT SHIELD, EXHAUST                      | +PROTECTOR TÉRMICO DEL ESCAPE                           |
| 7         | V104001761        | 1        | +GASKET, EXHAUST                           | +EMPAQUETADURA DE ESCAPE                                |
| <b>8</b>  | <b>84015Y</b>     | <b>1</b> | <b>TUNE-UP KIT - YOUCAN™</b>               | <b>JUEGO DE PUESTA A PUNTO - YOUCAN™</b>                |
| 9         | A369000480        | 1        | +FILTER, FUEL                              | +FILTRO DE COMBUSTIBLE                                  |
| 10        | A226001410        | 1        | +FILTER, AIR - DOUBLE LAYER                | +FILTRO DE AIRE - CAPA DOBLE                            |
| 11        | A226001790        | 1        | +PRE-FILTER, FOAM                          | +PRÉ-FILTRO DE ESPUMA                                   |
| 12        | A425000000        | 1        | +SPARK PLUG - BPMR8Y                       | +BUJÍA - BPMR8Y   |
| <b>13</b> | <b>84025Y</b>     | <b>1</b> | <b>FUEL SYSTEM KIT - YOUCAN™</b>           | <b>KIT DEL SISTEMA DE COMBUSTIBLE - YOUCAN™</b>         |
| 14        | 13201256030       | 1        | +PIPE, FUEL 3x6x80 YELLOW                  | +TUBO DE COMBUSTIBLE 3x6x80 AMARILLO                    |
| 15        | A356000031        | 1        | +VENT ASSY                                 | +VÁLVULA DE RESPIRADERO                                 |
| 16        | V490001240        | 3        | +CLIP 6                                    | +SUJETADOR 6  |
| 17        | V471001211        | 1        | +PIPE, FUEL 3x5x90 BLACK                   | +TUBO DE COMBUSTIBLE 3x5x90 NEGRO                       |
| 18        | V471005620        | 1        | +PIPE, FUEL 3x5.5x74 BLACK                 | +TUBO DE COMBUSTIBLE 3x5.5x74 NEGRO                     |
| 19        | 13211546730       | 1        | +GROMMET, FUEL 5                           | +OJAL DE COMBUSTIBLE 5                                  |
| 20        | V186000520        | 1        | +CONNECTOR, PIPE 5x3.5                     | +CONECTOR DE TUBO 5x3.5                                 |
| 21        | V470002460        | 1        | +PIPE, FUEL 3x5x90L BLACK                  | +TUBO DE COMBUSTIBLE 3x5x90L NEGRO                      |
| 22        | A369000480        | 1        | +FILTER, FUEL                              | +FILTRO DE COMBUSTIBLE                                  |
| 23        | V107000150        | 1        | +GASKET, FUEL CAP                          | +EMPAQUETADURA DE TAPA DE COMBUSTIBLE                   |
| 24        | P005003120        | 1        | +BULB, PURGE                               | +BULBO DE PURGA   |

## BULK PIPE

### TUBO AL POR MAYOR

| NO. | PART NUMBER | QTY. | DESCRIPTION                             | DESCRIPCIÓN  |
|-----|-------------|------|---|--|
| 1   | 90014       | 1    | BULK PIPE - 3x5 MM BLACK (4 PIECESx2 M) | TUBO AL POR MAYOR 3x5 MM NEGRO (4 PIEZASx2 M)        |
| 2   | 90015       | 1    | BULK PIPE - 3x6 MM BLACK (4 PIECESx2 M) | TUBO AL POR MAYOR 3x6 MM NEGRO (4 PIEZASx2 M)        |
| 3   | 90016       | 1    | BULK PIPE - 3x7 MM BLACK (4 PIECESx2 M) | TUBO AL POR MAYOR 3x7 MM NEGRO (4 PIEZASx2 M)        |
| 4   | 90017       | 1    | BULK PIPE - 3x6 MM CLEAR (4 PIECESx2 M) | TUBO AL POR MAYOR 3x6 MM TRANSPARENTE (4 PIEZASx2 M) |
| 5   | 90018       | 1    | BULK PIPE - 2x4 MM CLEAR (4 PIECESx2 M) | TUBO AL POR MAYOR 2x4 MM TRANSPARENTE (4 PIEZASx2 M) |

## BULK STARTER ROPE

### CUERDA DEL ARRANCADOR AL POR MAYOR

| NO. | PART NUMBER | QTY. | DESCRIPTION                     | DESCRIPCIÓN                                    |
|-----|-------------|------|---------------------------------|--|
| 1   | 99944435000 | 1    | BULK STARTER ROPE - 2.3 MMx61 M | CUERDA DEL ARRANCADOR AL POR MAYOR 2.3 MMx61 M |
| 2   | 99944440000 | 1    | BULK STARTER ROPE - 3.0 MMx61 M | CUERDA DEL ARRANCADOR AL POR MAYOR 3.0 MMx61 M |
| 3   | 99944445000 | 1    | BULK STARTER ROPE - 3.5 MMx61 M | CUERDA DEL ARRANCADOR AL POR MAYOR 3.5 MMx61 M |
| 4   | 99944450000 | 1    | BULK STARTER ROPE - 4.0 MMx61 M | CUERDA DEL ARRANCADOR AL POR MAYOR 4.0 MMx61 M |
| 5   | 99944455000 | 1    | BULK STARTER ROPE - 4.4 MMx61 M | CUERDA DEL ARRANCADOR AL POR MAYOR 4.4 MMx61 M |
| 6   | 99944460000 | 1    | BULK STARTER ROPE - 4.8 MMx61 M | CUERDA DEL ARRANCADOR AL POR MAYOR 4.8 MMx61 M |