

KIT CONTENTS

Index	Part Number	Description	Qty.
1	80587	MOUNTING BRACKET	1
2	11022-05200	SCREW, 5MM X 20MM, INCL. WASHER & LOCKWASHER	1
3	80588	BALL VALVE, 3/8 NPT*, FEMALE BOTH ENDS	1
4	80597	ADAPTER, 3/8 NPT* MALE X GHT** FEMALE	1
5	80598	MALE QUICK-DISCONNECT FITTING WITH MALE GHT**	1
6	80599	FEMALE QUICK-DISCONNECT FITTING WITH FEMALE GHT**	1
7	80600	HOSE FITTING MALE GHT** X 1/2-INCH HOSE BARB (80602 KIT)	1
7	80629	HOSE FITTING MALE GHT** X 5/8-INCH HOSE BARB (80632 KIT)	1
8	80601	HOSE CLAMP, 9/16" TO 1-1/16" RANGE	1
9	80589	SPACER	1
10	80590	MALE TUBE FITTING, 3/8" NPT* MALE X 1/4" TUBING	1
11,12	80594	NOZZLE, PLATED BRASS W/2 PLASTIC NOZZLE WASHERS	2
13	80592	PUSH CONNECT DOUBLE NOZZLE MOUNT, 1/4" TUBE	1
14	80593	PUSH CONNECT SINGLE NOZZLE MOUNT, 1/4" TUBE	1
15	80596	CAP, BRASS 1/8" NPT*	2
Bulk 16	80605	LONG TUBE, 15-1/2" CUT FROM BULK 1/4" POLYETHYLENE TUBE	1
Bulk 17	80605	SHORT TUBE, 9-1/2" CUT FROM BULK 1/4" POLYETHYLENE TUBE	1

* NPT = National Pipe Thread

**GHT = Garden Hose Thread

Index Numbers correspond to call out numbers in Figures 1 and 2 of the previous page.

shindaiwa

Shindaiwa Inc.
11975 S.W. Herman Rd.
Tualatin, Oregon 97062
Telephone: 503 692-3070
Fax: 503 692-6696
www.shindaiwa.com

©2002 Shindaiwa, Inc.
Part Number 80586
Revision 9/02
Printed in U.S.A.

INSTALLATION INSTRUCTIONS

Dust Suppression Water System Kit

P/N 80602 (1/2" Supply Hose)
P/N 80632 (5/8" Supply Hose)
FOR SHINDAIWA EC7500 AND EC7600
ENGINE CUT-OFF SAWS

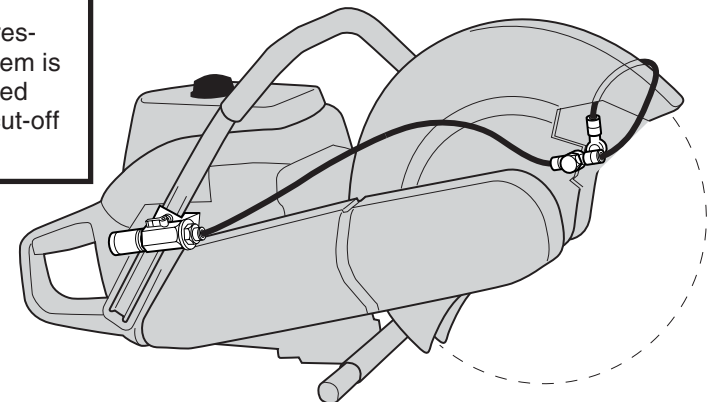


WARNING!

Before performing any work on the cut-off saw, make sure the engine is stopped and the ignition switch is OFF.

IMPORTANT!

The dust suppression water system is meant to be used with diamond cut-off wheels only.



shindaiwa

Part Number 80586



WARNING!

The dust suppression water kit should NOT be used with abrasive-type cut-off wheels.

The dust suppression water system permits a water hose to be connected to the cut-off saw. When the hose is pressurized from a locally available water source, the system will deliver water to the cut-off wheel to aid in the suppression of dust during operation. **Before installation, remove the cut-off wheel** (refer to the Owner's Manual supplied with your cut-off saw), then install the water kit as follows.

IMPORTANT!

The terms left-hand and right-hand refer to directions as viewed by the operator during normal operation.

Kit Installation

1. Remove the existing socket-head capscrew from the upper right-hand saw handle mount, then attach the mounting bracket (1) using the socket-head capscrew (2) provided with the Kit. See Figure 1.

2. Position the valve assembly (3, 4, 5 ass'y) and spacer (9) to the mounting bracket and secure it with the male tube fitting (10). Make sure the valve handle is positioned up. See Figure 1.

3. Position the nozzles (11) in the mounting holes of the cut-off wheel guard, install one washer (12), the nozzle mounts (13 and 14) and then another washer (12) over the threads as shown in Figure 2 with the double nozzle (13) on the right, and single nozzle (14) on the left.

4. Thread on the brass caps (15) finger-tight.

5. Connect the long tube (16) from the double nozzle mount to the handle-mounted valve.

6. When the hoses are aligned and free of kinks, securely tighten the brass caps (15).

IMPORTANT!

Do not permit the long tube to loop UNDER the knob on the wheel guard. Refer to Figure 3.

7. Install the cut-off wheel as outlined in the Owner's Operator's Manual.

8. Insert the hose fitting (7) into a garden hose and secure it with the hose clamp (8). Attach the female quick-disconnect fitting (6) to the hose fitting, then connect the female quick-disconnect fitting (5) on the valve assembly. See Figure 4.

When the hose is connected to a pressurized water source, the water system is ready for use. The control handle on top of the valve will provide control of the water flow rate.

IMPORTANT!

Adjust the valve to provide adequate dust suppression with the least amount of water flow.

NOTE!

To avoid clogging that can result from operation, thoroughly clean up the cut-off saw and dust suppression system with water after each use.

A parts list appears on the back page of these instructions.

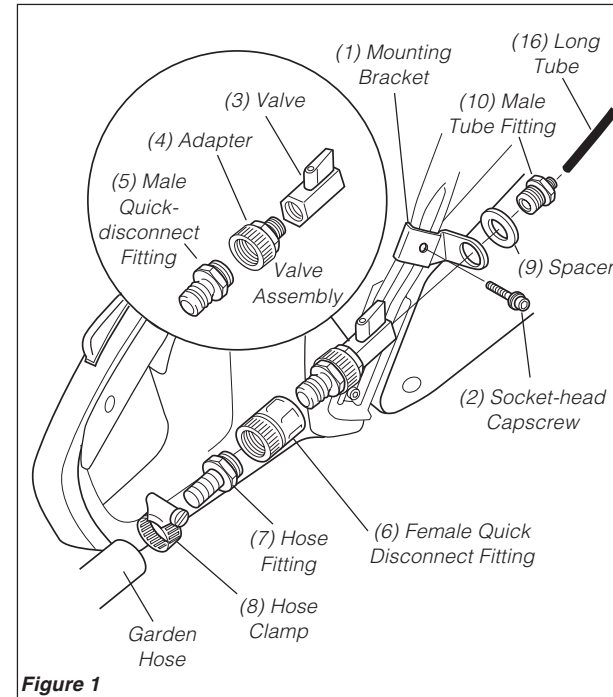


Figure 1

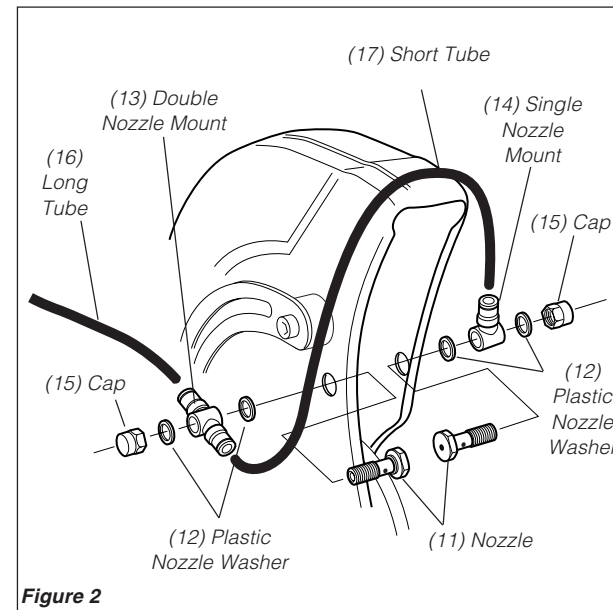
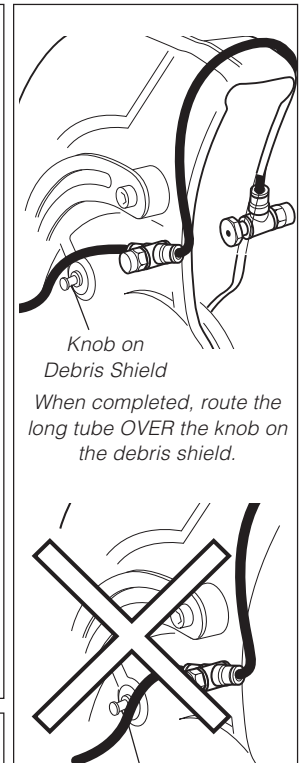


Figure 2



Knob on Debris Shield
When completed, route the long tube OVER the knob on the debris shield.

DO NOT permit the long tube to loop under the knob on the cut-off wheel guard.

Figure 3

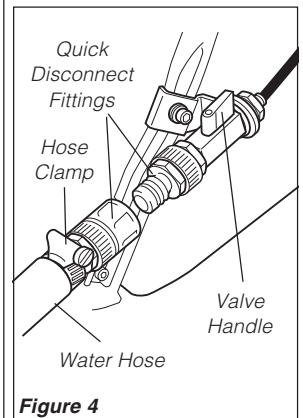


Figure 4