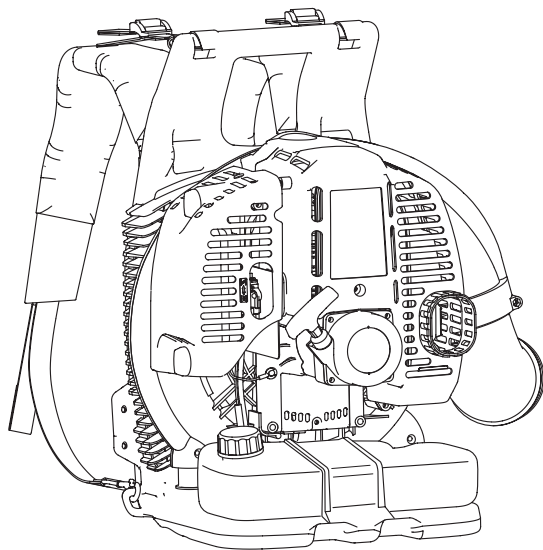


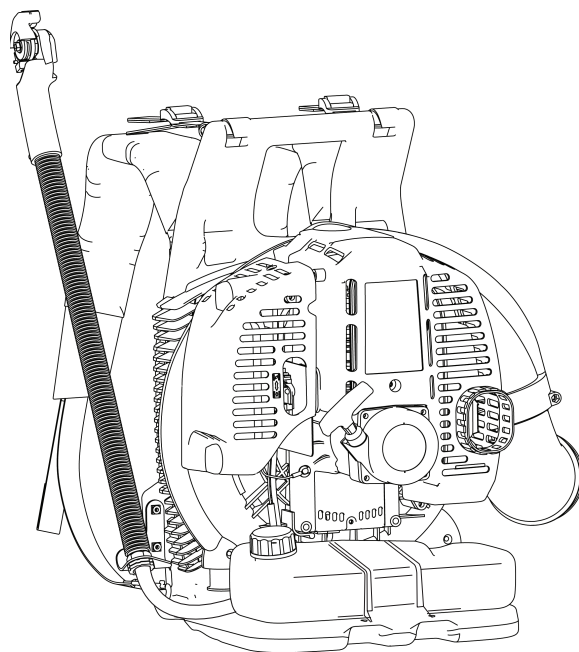
SHINDAIWA OWNER'S/OPERATOR'S MANUAL

# EB854 BLOWER

# EB854RT BLOWER



EB854RT



EB854



**WARNING!**

**Minimize the risk of injury to yourself and others!**

Read this manual and familiarize yourself with the contents. Always wear eye and hearing protection when operating this unit.


X750-020454  
X750197-1604  
1311Ah 0275 ES  
Printed in Japan

**shindaiwa**<sup>®</sup>

## Introduction

The shindaiwa EB854 has been designed and built to deliver superior performance and reliability without compromise to quality, comfort, safety, or durability.

The information contained in this manual describes units available at the time of production. While every attempt has been made to give you the very latest information about your shindaiwa EB854 blower. There may be some differences between your EB854 blower and what is described here.

 **WARNING!**  
The engine exhaust from this unit contains chemicals known to the State of California to cause cancer, birth defects or other reproductive harm.

**CAUTION!**  
This blower is equipped with a spark-arresting muffler! Never operate this unit without both the muffler and spark arrester installed and properly functioning!

ECHO, Inc. reserves the right to make changes in production without prior notice, and without obligation to make alterations to units previously manufactured.

**IMPORTANT!**

Before using this unit, consult local regulations concerning noise restrictions and hours of operation!

## Contents


	PAGE		PAGE
Attention Statements .....	2	Filling the Fuel Tank.....	10
General Safety Instructions .....	3	Starting and Stopping .....	10
Emission Control .....	5	Using the Blower .....	13
Unit Description .....	6	Maintenance .....	13
Specifications .....	6	Long Term Storage .....	17
Assembly .....	7	Troubleshooting Guide .....	18
Mixing Fuel .....	9	Emission System Warranty .....	21


**IMPORTANT!**

The operational procedures described in this manual are intended to help you get the most from this unit and also to protect you and others from harm. These procedures are general guidelines only, and are not intended to replace any safety rules/laws that may be in force in your area. If you have any questions regarding your EB854 blower, or if you do not understand something in this manual, your shindaiwa dealer will be glad to assist you. For additional information, you may also contact shindaiwa at the address printed on the back of this manual.

## Attention Statements

Throughout this manual are special "Attention Statements".

 **DANGER!**  
A statement preceded by the triangular attention symbol and the word "DANGER" contains information that should be acted upon to prevent serious injury or death.

 **WARNING!**  
A statement preceded by the triangular Attention Symbol and the word "WARNING" indicates a potentially hazardous situation which, if not avoided, COULD result in death or serious injury.

**CAUTION!**  
A statement preceded by the word "CAUTION" contains information that should be acted upon to avoid damaging the unit.

**IMPORTANT!**

A statement preceded by the word "IMPOARTANT" is one that possesses special significance.

**NOTE:**

A statement preceded by the word "NOTE" contains information that is handy to know and may make your job easier.

## Safety and operation labels



Read and follow this manual. Failure to do so could result in serious injury.



Keep hair and loose clothing clear of the air inlet.



**WARNING:** Surface can be hot. Always wear gloves when handling this unit.



Wear eye and hearing protection at all times during the operation of this unit.



This unit is intended for outdoor use only and should be used only in well ventilated areas.



Finger Severing

## General Safety Instructions

### Work Safely

Blowers operate at a very high speed and can do serious damage or injury if they are misused or abused. *Never allow a person without training or instruction to operate your Blower!*

### Stay Alert

You must be physically and mentally fit to operate this unit safely.



#### WARNING!

Never make unauthorized modifications or attachment installations. Never use attachments not approved by shindaiwa for use on this unit.

### IMPORTANT!

This engine is equipped with a heat sensor in order to prevent the engine from overheating. If the sensor is activated, engine speed will be reduced to 5,000 (RPM). If the engine speed is automatically reduced, please cool the engine as described in the section "Using the Blower".



#### WARNING!

Never operate power equipment of any kind if you are tired or if you are under the influence of alcohol, drugs, medication or any other substance that could affect your ability or judgement.



#### WARNING! Minimize the Risk of Fire

**NEVER** smoke or light fires near the unit.

**ALWAYS** stop the engine and allow it to cool before refuelling. Avoid overfilling and wipe off any fuel that may have spilled.

**ALWAYS** inspect the unit for fuel leaks before each use. During each refill, check that no fuel leaks from around the fuel cap and/or fuel tank.

If fuel leaks are evident, stop using the unit immediately. Fuel leaks must be repaired before using the unit.

**ALWAYS** move the unit to a place well away from a fuel storage area or other readily flammable materials before starting the engine.

**NEVER** place flammable material close to the engine muffler.

**NEVER** run the engine without the spark arrester screen in place.



#### WARNING!

#### Use Good Judgment

**ALWAYS** wear eye protection that complies with ANSI Z 87.1 or your applicable national standard to shield against thrown objects.

**NEVER** run the engine indoors! Make sure there is always good ventilation. Fumes from engine exhaust can cause serious injury or death.

**ALWAYS** stop the unit immediately if it suddenly begins to vibrate or shake. Inspect for broken, missing or improperly installed parts.

**ALWAYS** keep the unit as clean as practical. Keep it free of loose vegetation, mud, etc.

**ALWAYS** keep the handles clean.

**ALWAYS** disconnect the spark plug wire before performing any maintenance work.

**ALWAYS** turn off the engine before putting the unit down. When transporting the unit in a vehicle, properly secure it to prevent the unit from over turning, fuel spillage and damage to the unit.

**NEVER** insert any foreign objects into the air intake or outlet opening of the blower while in operation.

## Safety Labels

### IMPORTANT!

Safety and Operation Information Labels: Make sure all information labels are undamaged and readable. Immediately replace damaged or missing information labels. New labels are available from your local authorized shindaiwa dealer.

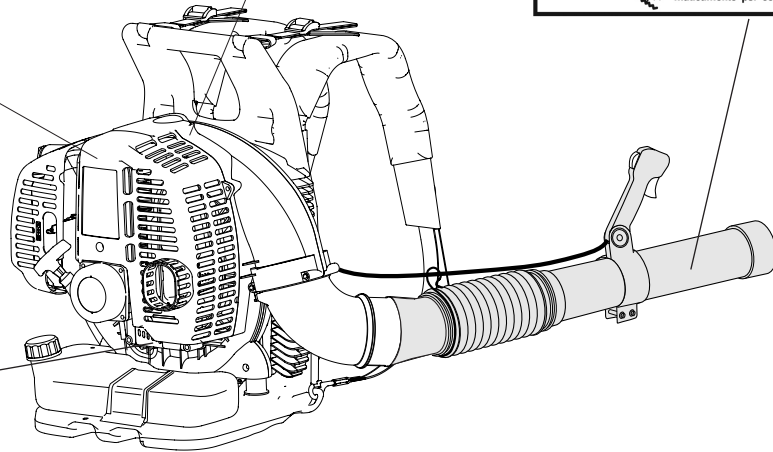


### CAUTION



Increased Engine Speed indicates clogged inlet. Shut down and clean immediately! If engine overheats, maximum engine speed is automatically reduced until cool down.

Altas RPM indican una entrada de aire obstruida. ¡Apague el motor y limpie la entrada inmediatamente! Si el motor se recalienta, las RPM se reducirán automáticamente por seguridad.

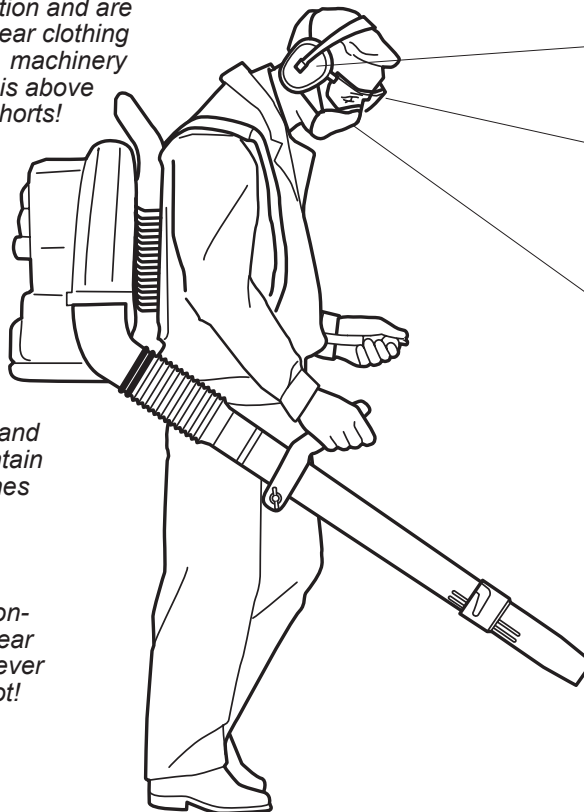


### WARNING!

**Metal surfaces of crankcase may be hot!** Always wear gloves when handling this unit.

## The Properly Equipped Operator

*Wear close-fitting clothing to protect legs and arms. Gloves offer added protection and are strongly recommended. Do not wear clothing or jewelry that could get caught in machinery or underbrush. Secure hair so it is above shoulder level. NEVER wear shorts!*



*Wear hearing protection when operating this unit.*

*Always wear eye protection such as a face shield or goggles while operating this unit. Never operate the blower when visibility is poor.*

*Wear a dust mask to reduce the risk of inhalation injuries.*

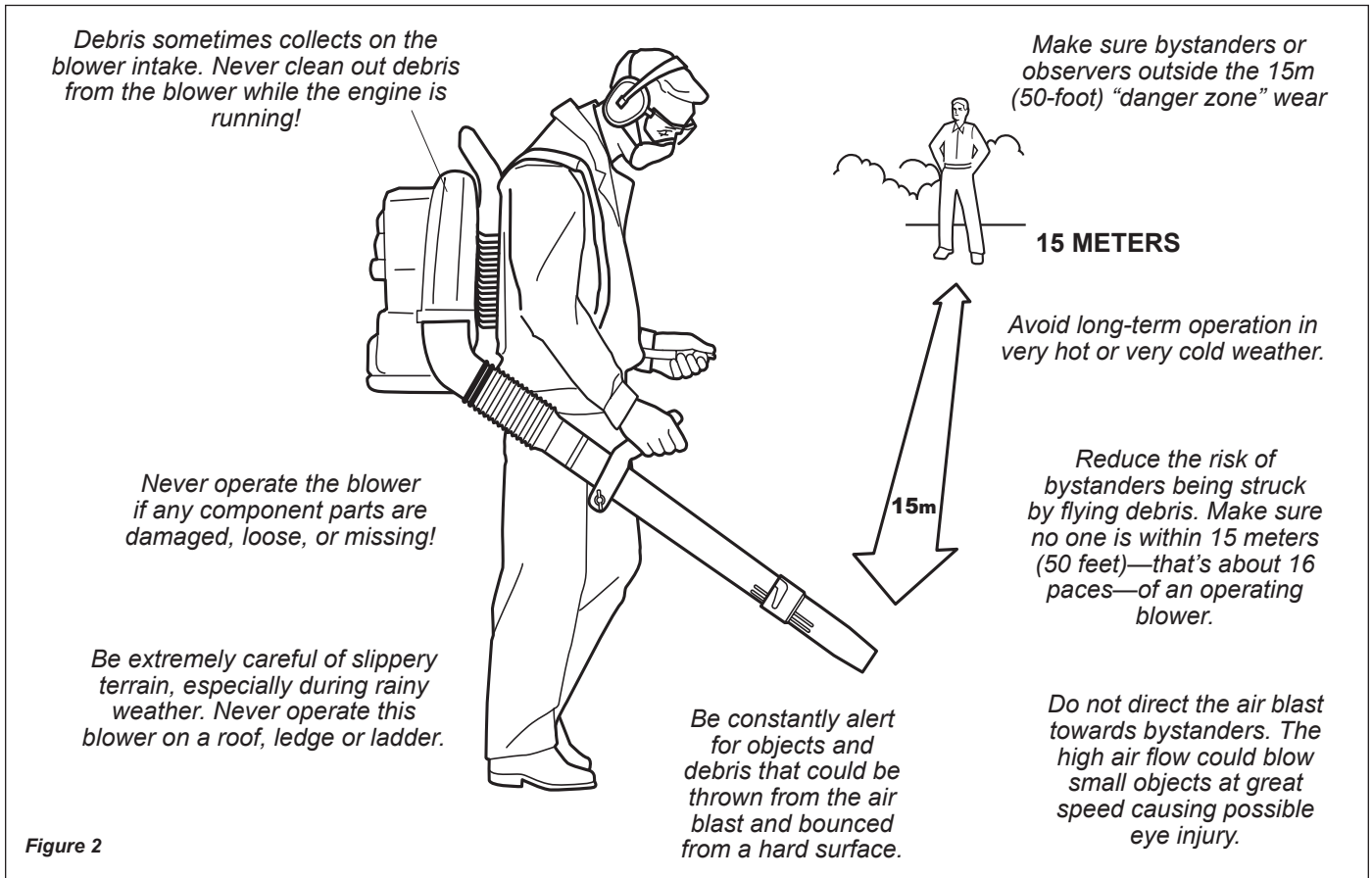
*Keep a proper footing and do not overreach. Maintain your balance at all times during operation.*

*Always be aware of the strength and direction of the blower discharge stream. Never direct the blower discharge stream toward people or animals!*

*Wear appropriate footwear (non-skid boots or shoes); do not wear open-toed shoes or sandals. Never operate the unit while barefoot!*

Figure 1

## Be Aware of the Working Environment



## Emission Control (Exhaust & Evaporative)

### EPA 2010 and Later and/or C.A.R.B. TIER III

The emission control system for the engine is EM (engine modification) and, if the second to last character of the Engine Family on the Emission Control Information label (sample below) is "C", "K", or "T", the emission control system is EM and TWC (3-way catalyst). The fuel tank/fuel line emission control system is EVAP (evaporative emissions). Evaporative emissions for California models may only be applicable to fuel tanks.

EMISSION CONTROL INFORMATION  
 ENGINE FAMILY : #EHXS,\*\*\*\*\* DISPLACEMENT : \*\*cc  
 EMISSION COMPLIANCE PERIOD : 300Hours  
 THIS ENGINE MEETS U.S.EPA EXH/EVP EMISSION REGULATIONS FOR MODEL YEAR \*\*\*\* REFER TO OWNER'S MANUAL FOR MAINTENANCE SPECIFICATIONS AND ADJUSTMENTS.  
**YAMABIKO CORP. \*\*\*\*\* E**

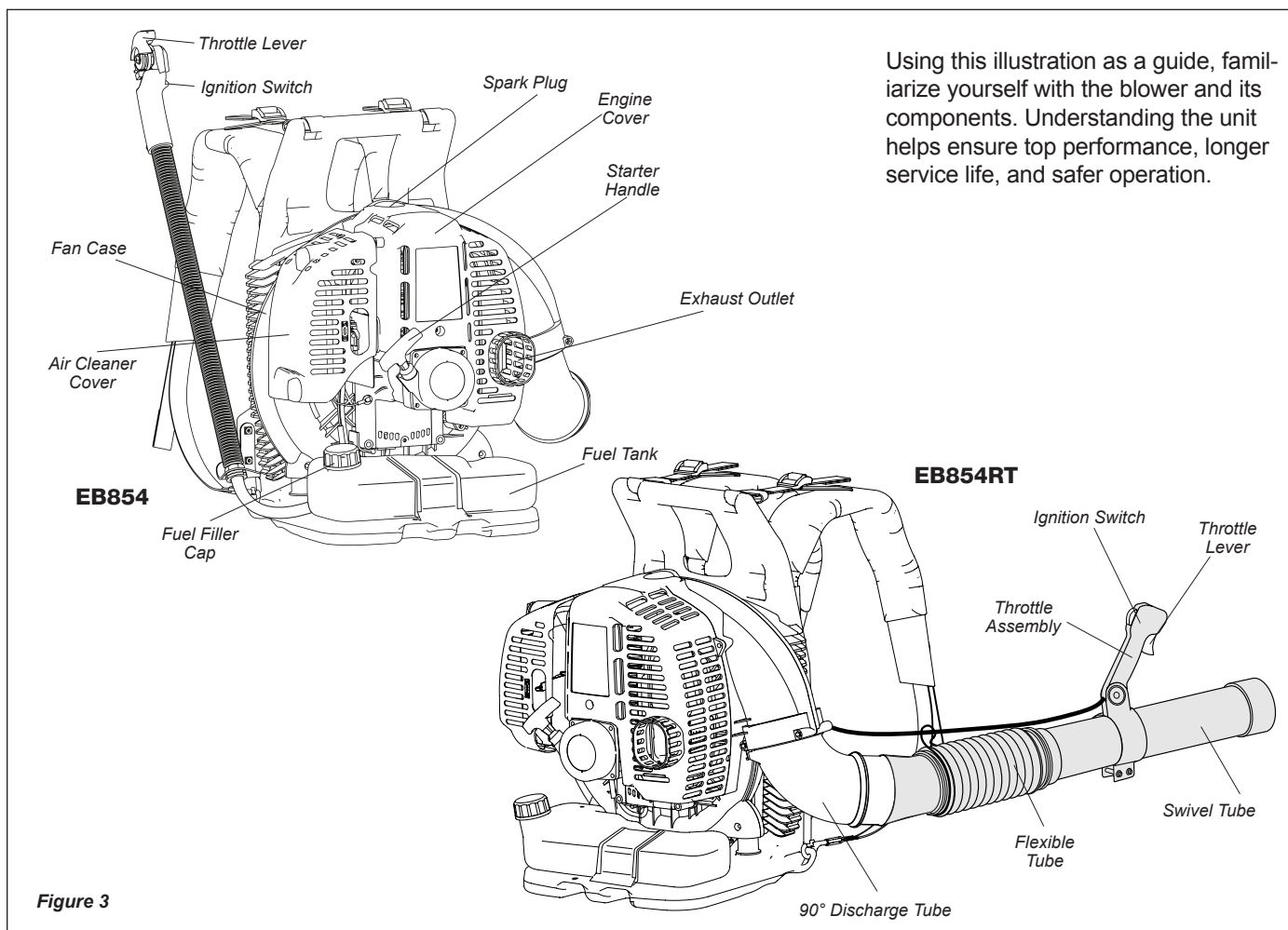
EMISSION CONTROL INFORMATION  
 ENGINE FAMILY : #EHXS,\*\*\*\*\* DISPLACEMENT : \*\*cc  
 EMISSION COMPLIANCE PERIOD : 300Hours  
 THIS ENGINE MEETS \*\*\*\* U.S.EPA EXH/EVP & CALIFORNIA EXH/EVP EMISSION REGULATIONS FOR S.O.R.E. REFER TO OWNER'S MANUAL FOR MAINTENANCE SPECIFICATIONS AND ADJUSTMENTS.  
**YAMABIKO CORP. \*\*\*\*\* E**

**An Emission Control Label** is located on the unit. (This is an EXAMPLE ONLY; information on label varies by engine FAMILY).

### PRODUCT EMISSION DURABILITY (EMISSION COMPLIANCE PERIOD)

The 300 hour emission compliance period is the time span selected by the manufacturer certifying the engine emissions output meets applicable emissions regulations, provided that approved maintenance procedures are followed as listed in the Maintenance Section of this manual.

## Unit Description



## Specifications

Model	EB854	EB854RT
Dry Weight (without Blower Tubes)	11.8 kg/26.02 lbs	11.7 kg/25.8 lbs
Dimensions (L xWxH)	400 x 465 x 595 mm	400 x 450 x 545 mm
Engine Type	4 cycle air-cooled gasoline engine, vertical-cylinder	
Bore & Stroke	51 x 39 mm (2.01 x 1.54 inches)	
Displacement	79.7cc (4.86 cu. inches)	
Fuel/Oil Ratio	50:1 with *ISO-L-EGD or JASO FD class engine oil	
Carburetor	Diaphragm Type	
Ignition	CDI (Capacitor Discharge Ignition)	
Spark Plug	NGK CMR5H	
Starting	Recoil Starter	
Stopping	Toggle Switch (Grounding type)	Slide Switch (Grounding type)
Fuel Tank Capacity	2.0 liters (67.6 oz)	
Exhaust	Spark Arrester Muffler	
Air Filtration	Dry Element with pre-filter	
Air Speed	213 mph / 95 m/sec	
Air Volume	660 cfm / 18.7 m <sup>3</sup> /min	
Idle Speed	2,000 RPM	
W.O.T. Speed w/std. nozzle	6,800 RPM	
Sound Level	77 dB(A) @ W.O.T and 50 feet per ANSI B175.2	

Specifications are subject to change without notice.

# Assembly

## Prior to Assembly

Before assembling the blower, make sure you have all required components.

- Power unit and blower assembly.
- Flexible tube, swivel tube, two nozzles and straight tube.
- Handgrip.

- Two tube clamps (102 and 89 mm).
- This Owner's/Operator's Manual and a tool kit containing a tool bag, 4 mm hex wrench, 5 mm hex wrench and a combination spark plug wrench/screwdriver.
- Lead wire assembly (anti-static).

Carefully inspect all components for damage.

### IMPORTANT!

The terms "left", "left-hand", "LH"; "right", "right-hand", and "RH"; "front" and "rear" refer to directions as viewed by the operator during normal operation.

## Assembling the EB854 Blower

### IMPORTANT!

This unit is equipped with a static discharge reduction wire. This wire helps direct static buildup into the air stream reducing the felt amount to the operator.

1. Place the blower upright on the ground or a sturdy work surface and note parts orientation as shown in Figure 4.
2. Remove static wire from package and fix eyelet to right hand engine cover screw. See Figure 5.
3. Turn the discharge tube out to a right angle and slip anti-static wire through the 102 mm clamp and flexible tube.
4. Slip the flexible tube over the end of the 90° discharge tube, and secure with the 102 mm clamp.

### NOTE:

Check to make sure that the 90° discharge tube swivels freely. If any binding is present, loosen 102mm clamp and pull wire towards engine to get more slack and recheck for free movement.

5. Insert the static wire through the swivel tube, then install and tighten the 89 mm clamp over the rotating band on the swivel tube.
6. Slide the handgrip over the swivel tube and secure with the bolt and wingnut.
7. Fold the end of the static wire back over the connection of the swivel tube. See Figure 5.
8. Grasp the straight tube, and push the straight tube over the swivel tube locking pins securing the static wire. See Figure 6.
9. Lock the straight tube to the swivel tube by rotating the straight tube noting the alignment marks. See Figure 6.

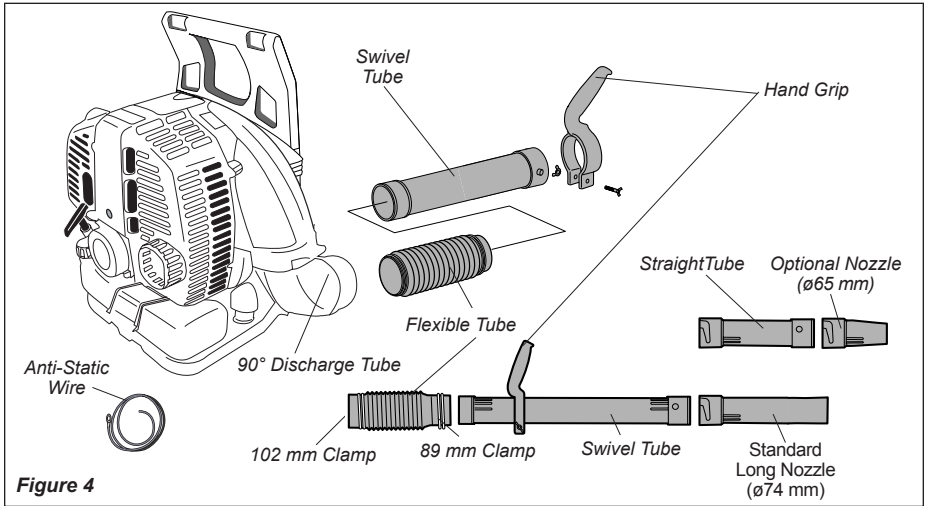


Figure 4

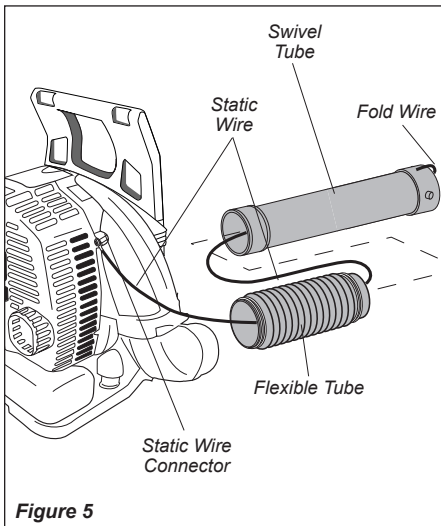


Figure 5

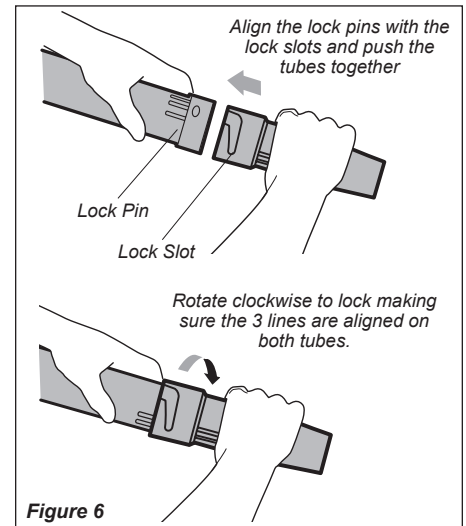


Figure 6

### IMPORTANT!

Blower tube installation affects blower performance! Make sure the tubes and straight tube are correctly assembled per above, and that all connections are tight. Blower tubes may come apart during use unless tubes are aligned and locked into place.

10. Grasp the nozzle, and push the nozzle over the straight tube locking pins. See Figure 6.

### WARNING!

**Danger from rotating impeller!** Stop the engine before installing or removing the blower tubes! Never perform any maintenance or assembly procedures on this unit while the engine is running!

11. Lock the nozzle to the straight tube by rotating the nozzle noting the alignment marks. See Figure 6.
12. Adjust handgrip for best operator comfort, and tighten securely.

## Assembly

### Assembling the EB854RT

#### IMPORTANT!

This unit is equipped with a static discharge reduction wire. This wire helps direct static buildup into the air stream reducing the felt amount to the operator.

1. Place the blower upright on the ground or a sturdy work surface and note parts orientation as shown in Figure 7.
2. Remove static wire from package and fix eyelet to right hand engine cover screw. See Figure 8.
3. Turn the discharge tube out to a right angle and slip anti-static wire through the 102mm clamp and flexible tube.
4. Install throttle cable holder just forward of the 102 mm clamp, pinching loops together to fit over end of flexible tube. See Figures 10A and 10B.
5. Slip the flexible tube over the end of the 90° discharge tube, and secure with the 102 mm clamp.
6. Slide the throttle assembly over the swivel tube. Do not tighten clamp at this time.

#### NOTE:

Check to make sure that the 90° discharge tube swivels freely. If any binding is present, loosen 102 mm clamp and pull wire towards engine to get more slack and recheck for free movement.

7. Insert the static wire through the swivel tube, then install and tighten the 89mm clamp over the rotating band on the swivel tube.
8. Fold the end of the static wire back over the connection of the swivel tube. See Figure 8.
9. Grasp the straight tube, and push the straight tube over the swivel tube locking pins securing the static wire. See Figure 9.
10. Lock the straight tube to the swivel tube by rotating the straight tube noting the alignment marks. See Figure 9.
11. Grasp the nozzle, and push the nozzle over the straight tube locking pins. See Figure 9.
12. Lock the nozzle to the straight tube by rotating the nozzle noting the alignment marks. See Figure 9.

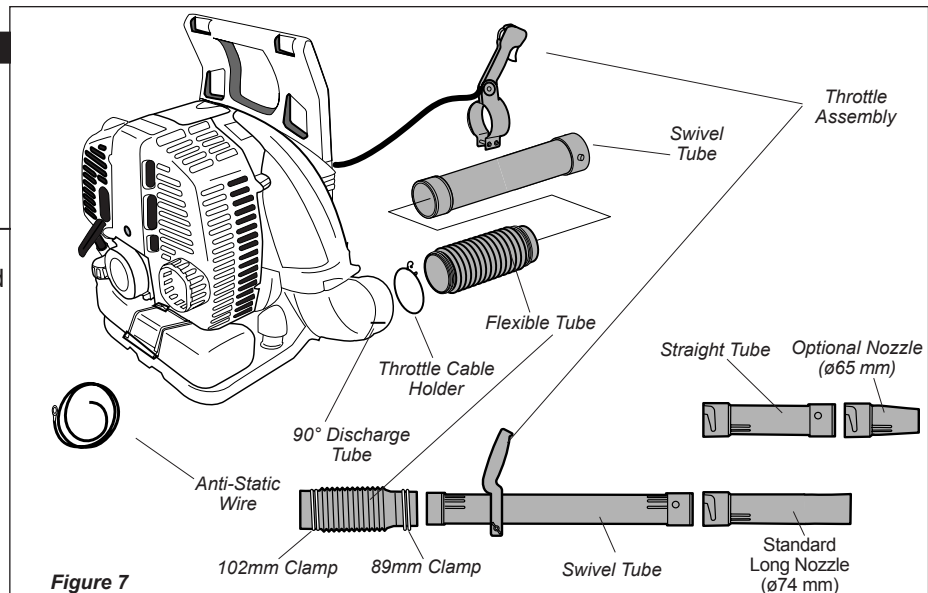


Figure 7

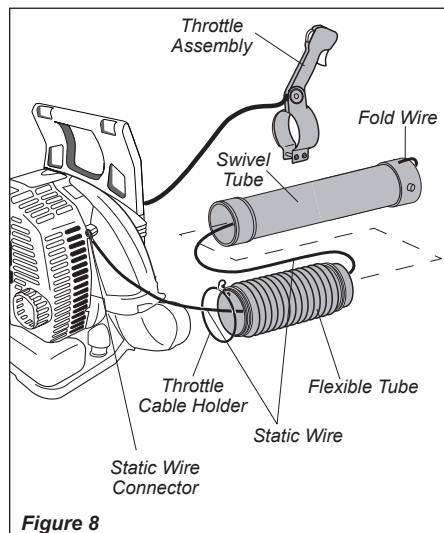


Figure 8

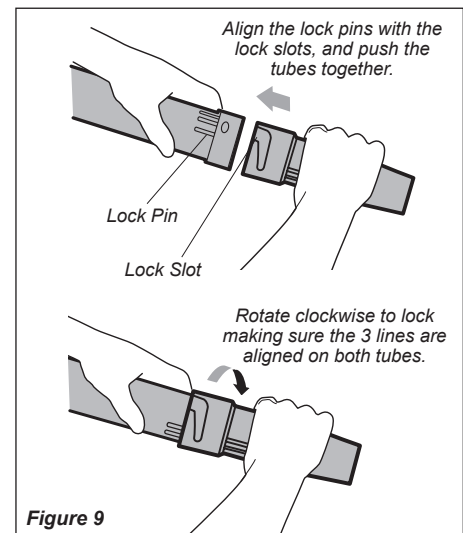


Figure 9

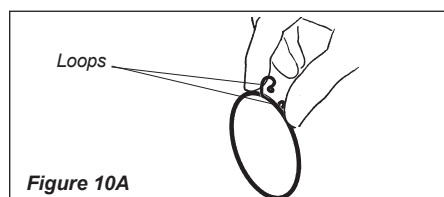


Figure 10A

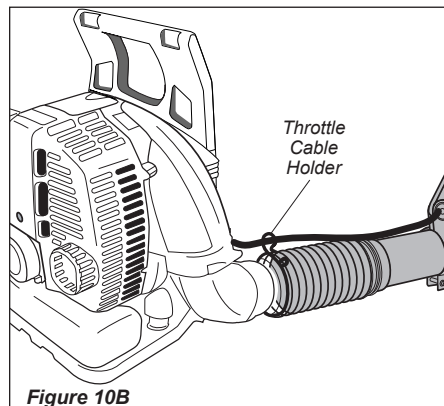


Figure 10B

13. Adjust throttle assembly for best operator comfort, and tighten two socket-head screws securely.

#### IMPORTANT!

Blower tube installation affects blower performance! Make sure the tubes and nozzle are correctly assembled per above, and that all connections are tight. Blower tubes may come apart during use unless tubes are aligned and locked into place.



#### WARNING! Danger from rotating impeller!

Stop the engine before installing or removing the blower tubes! Never perform any maintenance or assembly procedures on this unit while the engine is running!

The blower should now be ready for use.



## Mixing Fuel



### WARNING!

**Alternative fuels, such as E15 (15% ethanol), E-85 (85% ethanol) or any fuels not meeting shindaiwa requirements are NOT approved for use in shindaiwa gasoline engines.** Use of alternative fuels may cause performance problems, loss of power, overheating, fuel vapor lock, and unintended machine operation, including, but not limited to, improper clutch engagement. Alternative fuels may also cause premature deterioration of fuel lines, gaskets, carburetors and other engine components.

### Fuel Requirements

**Gasoline** - Use 89 Octane [R+M/2] (mid grade or higher) gasoline known to be good quality. Gasoline may contain up to 10% Ethanol (grain alcohol) or 15% MTBE (methyl tertiary-butyl ether). Gasoline containing methanol (wood alcohol) is **NOT** approved.

**Hybrid 4™ Mixture Oil** - Engine oil meeting ISO-L-EGD (ISO/CD 13738) and J.A.S.O. M345/FD standards must be used. shindaiwa highly recommends using shindaiwa Red Armor™ engine oil in all shindaiwa Hybrid 4™ engines to protect the engine from harmful carbon build up, maintain engine performance, and increase engine life. shindaiwa Red Armor™ engine oil exceeds ISO-L-EGD and J.A.S.O. M345/FD performance requirements. Engine problems due to inadequate lubrication caused by failure to use an ISO-L-EGD (ISO/CD 13738) and J.A.S.O. M345/FD certified oil will void the engine warranty.

### IMPORTANT!

shindaiwa Red Armor™ engine oil may be mixed at 50:1 ratio for application in all shindaiwa engines sold in the past, regardless of ratio specified in those manuals.

### IMPORTANT!

Stored fuel ages. Do not mix more fuel than you expect to use in thirty (30) days, ninety (90) days when a fuel stabilizer is added. Use of unmixed, improperly mixed, or stale fuel, may cause hard starting, poor performance, or severe engine damage and void the product warranty. Read and follow instructions in the Long Term Storage section of this manual.

### Examples of 50:1 mixing quantities

Fuel to Oil Mix - 50:1 Ratio			
U.S.		METRIC	
GAS	OIL	GAS	OIL
Gallons	Fl. oz.	Liter	cc.
1	2.6	4	80
2	5.2	8	160
5	13	20	400

## Handling Fuel



### DANGER

**Fuel is VERY flammable. Use extreme care when mixing, storing or handling or serious personal injury may result.**

- Use an approved fuel container.
- DO NOT smoke near fuel.
- DO NOT allow flames or sparks near fuel.
- Fuel tanks/cans may be under pressure. Always loosen fuel caps slowly allowing pressure to equalize.
- NEVER refuel a unit when the engine is HOT or RUNNING!
- DO NOT fill fuel tanks indoors. ALWAYS fill fuel tanks outdoors over bare ground.
- DO NOT overfill fuel tank. Wipe up spills immediately.
- Securely tighten fuel tank cap and close fuel container after refueling.
- Inspect for fuel leakage. If fuel leakage is found, do not start or operate unit until leakage is repaired.
- Move at least 3m (10 ft.) from refueling location before starting the engine.

## Mixing Instructions

1. Fill an approved fuel container with half of the required amount of gasoline.
2. Add the proper amount of engine oil to gasoline.
3. Close container and shake to mix oil with gasoline.
4. Add remaining gasoline, close fuel container, and remix.

### IMPORTANT!

Spilled fuel is a leading cause of hydrocarbon emissions. Some states may require the use of automatic fuel shut-off containers to reduce fuel spillage.

#### After use

- DO NOT store a unit with fuel in its tank. Leaks can occur. Return unused fuel to an approved fuel storage container.

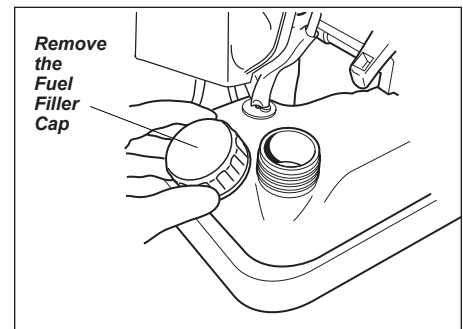
## Filling the Fuel Tank

1. Place the unit on a flat, level surface.
2. Clear any dirt or other debris from around the fuel filler cap.
3. Remove the fuel cap, and fill the tank with clean, fresh fuel.
4. Reinstall the fuel filler cap and tighten firmly.
5. Wipe away any spilled fuel before starting the blower.

**Storage** - Fuel storage laws vary by locality. Contact your local government for the laws affecting your area. As a precaution, store fuel in an approved, airtight container. Store in a well-ventilated, unoccupied building, away from sparks and flames.

### IMPORTANT!

Stored fuel may separate. ALWAYS shake fuel container thoroughly before each use.



## Starting the Engine



### WARNING!

**Danger from rotating impeller!** The impeller will rotate whenever the blower is operated! Never operate this blower unless the intake cover and blower tubes are properly installed and in good working order!



### WARNING!

**Danger from thrown dust or debris!** Always wear eye protection when operating this machine! Never direct the blower stream toward people or animals! Never operate this blower unless all controls are properly installed and in good working order.

### CAUTION!

#### The recoil starter can be damaged by abuse!

- Never pull the starter cord to its full length!
- Always engage the starter before cranking the engine!
- Always rewind the starter cord slowly!
- Never operate the blower if blower tubes are missing or damaged!

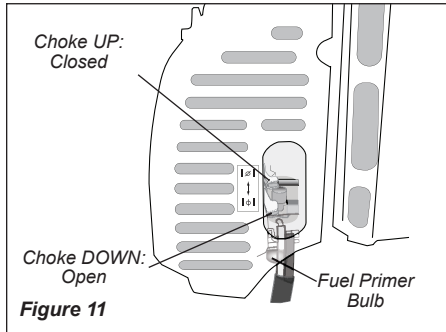
# Starting the Engine

## Starting Procedure

1. Place the blower on the ground.
2. Prime the fuel system by repeatedly depressing the fuel primer bulb until no air bubbles are visible in the fuel discharge line.

### IMPORTANT!

The primer system only pushes fuel through the carburetor. Repeatedly pressing the primer bulb will not flood the engine with fuel.



3. **Cold Engine Only.** Choke the engine by moving the choke lever up (choke is closed). See Figure 11.

## When The Engine Starts

- Open the choke (if it is not already open) by moving the choke lever down.
- If the engine does not continue to run, repeat the appropriate starting procedures for a cold or warm engine.

## If The Engine Does Not Start

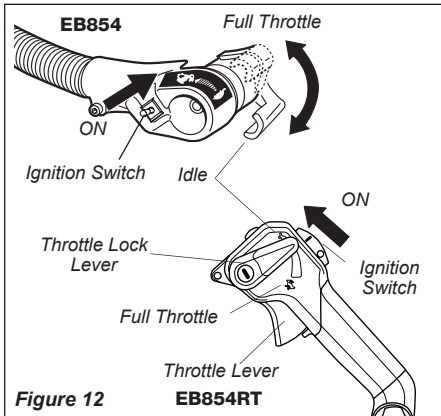
Repeat the appropriate starting procedures for warm or cold engine. If the engine still will not start, follow the "Starting a Flooded Engine" procedure.

## Starting A Flooded Engine

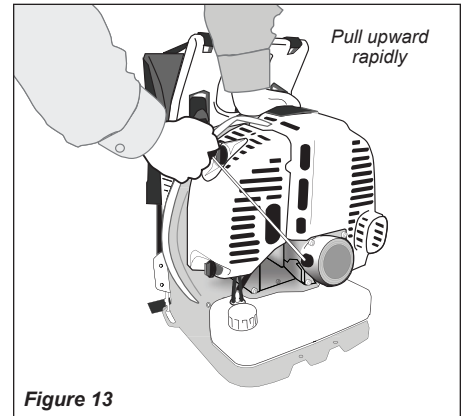
1. Move the ignition switch to the "I" (ON) position.
2. Open the choke, put the throttle lever in the full throttle position, then clear excess fuel from the combustion chamber by cranking the engine several times.
3. If the engine still fails to start or fire, refer to the troubleshooting flow chart at the end of this manual.

## Stopping The Engine

1. Cool the engine by allowing it to run at idle for 2–3 minutes.
2. Move the ignition switch towards the rear to "O" (OFF). See Figure 14.



4. Move the ignition switch to the "I" (ON) position. Move the throttle lever to half throttle. **RT Model:** Move the ignition switch to the "I" (ON) position, then depress the throttle lever halfway and lock throttle by moving the throttle lock lever halfway down. See Figure 12.
5. Hold the blower firmly with you left hand on the fan case.
6. Using your right hand, pull the starter handle slowly until you feel the starter engage. See Figure 13.



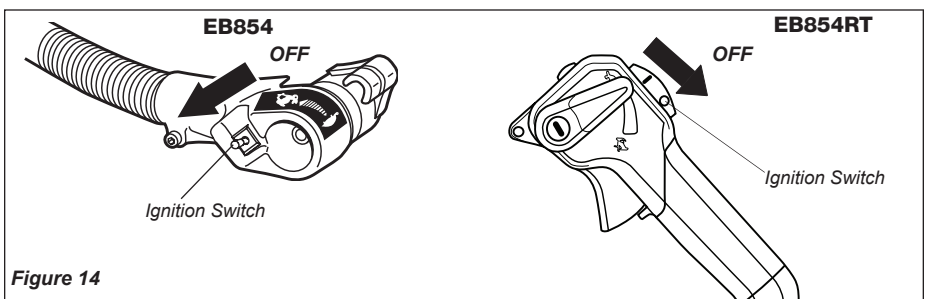
7. As the starter engages, pull the starter handle upward rapidly.
8. If necessary, repeat Steps 6 and 7 until the engine starts.



### WARNING!

Never operate the blower unless all controls are properly installed and in good working order. Never operate the blower if the cylinder cover is missing or damaged!

- After the engine starts, allow the engine to warm up at idle 2 or 3 minutes before operating the unit.



## Throttle Control EB854RT

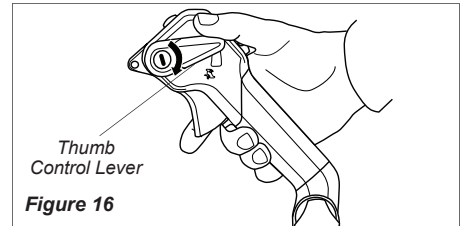
The EB854RT blower is equipped with a multi-function throttle control. The “Cruise” function allows the operator to use a thumb controlled lever for constant speed use without using the throttle trigger. This is useful for limiting the fatigue caused from holding the throttle for extended periods of time.

On the opposite side, a two position “Limiter” control allows full engine speed when set for “Turbo” or limits the throttle to a pre-set engine speed when set to low noise (dB) setting.

### Cruise Function

Using the right thumb, push the throttle lock lever down until the desired RPM setting is reached. See Figure 16.

To bring RPM down to idle, push lever back up into original position.

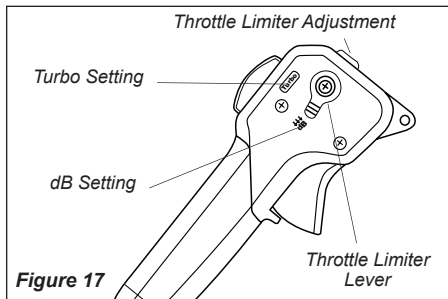


### Throttle Limiter

The EB854RT blower has a throttle limiter function that allows the operator to pre-set the maximum engine speed. This is useful for reducing the noise emitted by the blower in noise sensitive areas.

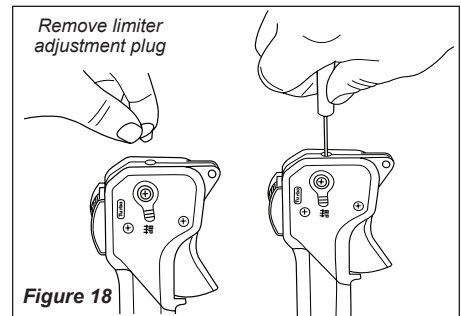
### Setting Throttle Limiter:

For reduced noise setting, move the throttle limiter located on the right side of the throttle control to the dB setting. See Figure 17.



### Adjusting Throttle Limiter:

1. Remove the plug located at the top of the throttle assembly. See Figure 18.
2. Move the throttle limiter lever to the “dB” setting. See Figure 17.
3. With the engine running and while depressing the throttle trigger, use a small Phillips screw driver to turn the adjustment screw clockwise to decrease RPM and counter-clockwise to increase until desired limited RPM is achieved.
4. Reinstall limiter adjustment plug.



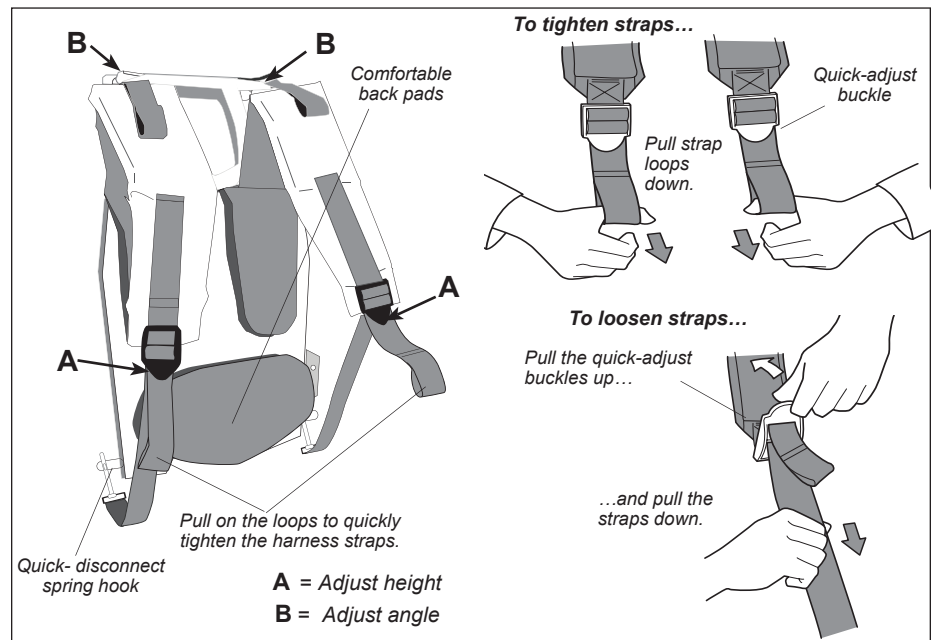
### NOTE:

With the throttle limiter adjusted to 3,850 RPM, the RT blower will have a sound level of 65 dB(A) measured at 15m (50 feet).

## Adjusting the Harness

The shindaiwa blower features an advanced harness system that helps ensure maximum operator comfort and ease of operation.

- The shoulder harness is filled with soft padding for reduced operator fatigue.
- The simplified adjustment system makes it easy to match the harness to every body size and type.



## Using the Blower

### Operating Tips

In the hands of an experienced operator, the blower can efficiently move a wide variety of debris ranging from grass clippings to gravel. As a general rule, operate your blower at the lowest throttle setting required to get the job done:

- Use low throttle settings when clearing lightweight materials from around lawns or shrubbery.
- Use medium to higher throttle settings to move grass or leaves from parking lots or walkways.
- Use full throttle when moving heavy loads such as dirt or snow.

### Heat sensor

This engine is equipped with a heat sensor in order to prevent overheating. If engine overheating occurs, the engine speed will be reduced to 5,000 RPM, and engine stops after 10 seconds.

### If engine stops:

- Remove any leaves and debris blocking intake cover.
- Restart engine.
- Keep the engine speed at idle for 1 minute.

### IMPORTANT!

Blower noise increases at higher throttle settings! Always use the lowest throttle setting required to get the job done!

## Maintenance

### IMPORTANT!

MAINTENANCE, REPLACEMENT OR REPAIR OF EMISSION CONTROL DEVICES AND SYSTEMS MAY BE PERFORMED BY ANY REPAIR ESTABLISHMENT OR INDIVIDUAL, HOWEVER, WARRANTY REPAIRS MUST BE PERFORMED BY A DEALER OR SERVICE CENTER AUTHORIZED BY ECHO, INC. THE USE OF PARTS THAT ARE NOT EQUIVALENT IN PERFORMANCE AND DURABILITY TO AUTHORIZED PARTS MAY IMPAIR THE EFFECTIVENESS OF THE EMISSION CONTROL SYSTEM AND MAY HAVE A BEARING ON THE OUTCOME OF A WARRANTY CLAIM.



### WARNING!

Non-standard parts may not operate properly with your unit and may cause damage and lead to personal injury.



### WARNING!

Before performing any maintenance, repair or cleaning work on the unit, make sure the engine is completely stopped. Disconnect the spark plug wire before performing service or maintenance work.

### NOTE:

Using non-standard replacement parts could invalidate your shindaiwa warranty.

### Muffler

This unit must never be operated with a faulty or missing spark arrester or muffler. Make sure the muffler is well secured and in good condition. A worn or damaged muffler is a fire hazard and may also cause hearing loss.

### Spark Plug

Keep the spark plug and wire connections tight and clean.

### Fasteners

Make sure nuts, bolts, and screws (except carburetor adjusting screws) are tight.

### Air Filter

The H4 engine that powers your shindaiwa model is a hybrid 4-stroke engine. As a hybrid, the engine is lubricated by oil mixed with the gasoline and air from the carburetor that moves through and around the internal parts of the engine in a similar way that a 2-stroke engine is lubricated. Without the heavy duty 2-stage air filter equipped on all H4 engines, dust and dirt could also move through the engine, decreasing engine life, increasing valve wear and the need for more frequent valve adjustments. To keep your H4 engine strong and reliable, shindaiwa recommends that you check and service the air filter as instructed in the Maintenance section that follows.

### Prior to each workday, perform the following:

- Remove all dirt and debris from blower exterior and the engine. Check the cooling fins and air cleaner for clogging and clean as necessary.
- COOLING SYSTEM Use a wood or plastic scraper and a soft brush to remove dirt and debris from the cylinder fins and crankcase.
- INSPECTION Inspect the entire blower and tubes for damage, including loose or missing components, and repair as necessary.

## Maintenance Intervals

COMPONENT / SYSTEM	MAINTENANCE PROCEDURE	DAILY OR BEFORE USE	EVERY REFUEL	3 MONTHS OR 135 HOURS	YEARLY 600 HOURS
Air Filter	Inspect/Clean	I / C *		R *	
Choke Shutter	Inspect/Clean	I / C			
Fuel Filter	Inspect/Replace			I *	I / R *
Fuel Cap Gasket	Inspect/Replace			I *	R *
Fuel System	Inspect/Replace	I (1) *	I (1) *		
Spark Plug	Inspect/Clean/Replace			I / C / R *	
Cooling System	Inspect/Clean	I / C			
Valve Adjustment	Inspect/Adjust			(2)	
Muffler Spark Arrestor	Inspect/Clean/Replace			I / C / R *	
Recoil Starter Rope	Inspect/Clean	I / C *			
Screws/Nuts/Bolts	Inspect/Tighten/Replace	I *			

**MAINTENANCE PROCEDURE LETTER CODES:** I = INSPECT, R = REPLACE, C = CLEAN

**IMPORTANT NOTE** - Time intervals shown are maximum. Actual use and your experience will determine the frequency of required maintenance.

**MAINTENANCE PROCEDURE NOTES:**

(1) Low evaporative fuel tanks DO NOT require regular maintenance to maintain emission integrity.

(2) Adjust every 135 hours.

\* All recommendations to replace are based on the finding of damage or wear during inspection.



**WARNING!**

To reduce fire hazard, keep the engine and muffler free of dirt, debris, and leaves.

**CAUTION!**

The engine is cooled by air drawn into the air intake cover on the blower housing. The blower fan then pushes the cooling air through an opening in the fan housing, forcing it past the cylinder cooling fins. Failure to keep the cooling system and its passages clear of debris will likely result in engine overheating, a major cause of serious engine problems that can lead to failure.

- Inspect the engine, tank, and hoses for possible fuel leaks, and repair as necessary.
- Inspect the entire blower for loose, damaged, or missing components, and repair as necessary.
- Carefully remove any accumulations of dirt or debris from the muffler and fuel tank. Dirt build-up in these areas can lead to engine overheating, fire or premature wear.

## Maintenance (continued)

### Air Filter

1. Remove the air cleaner cover by loosening the thumbscrews and lifting. See Figure 18.
2. Remove and inspect the pre-filter. If the pre-filter is torn or otherwise damaged, replace it with a new one.

#### **IMPORTANT!**

The blower uses a special high capacity dry-type air filter element. The filter should not be cleaned with a liquid cleaner and must NEVER be oiled!

3. Clean the pre-filter with soap and water. Let dry before reinstalling.
4. Inspect the air cleaner element. If the element is damaged or distorted, replace it with a new one.
5. Tap filter gently on a hard surface to dislodge debris from element or use compressed air from the inside to blow debris out and away from the air filter element.

### Spark Plug

#### **CAUTION!**

Never allow dirt or debris to enter the cylinder bore! Before removing the spark plug, thoroughly clean the spark plug and cylinder head area!

Allow the engine to cool before servicing the spark plug! Cylinder threads can be damaged by tightening or loosening the spark plug while the engine is hot!

- Replace the spark plug annually: Use only NGK CMR5H or equivalent resistor type spark plug of the correct heat range. Set spark plug electrode gap to 0.6 mm (0.024 inch).

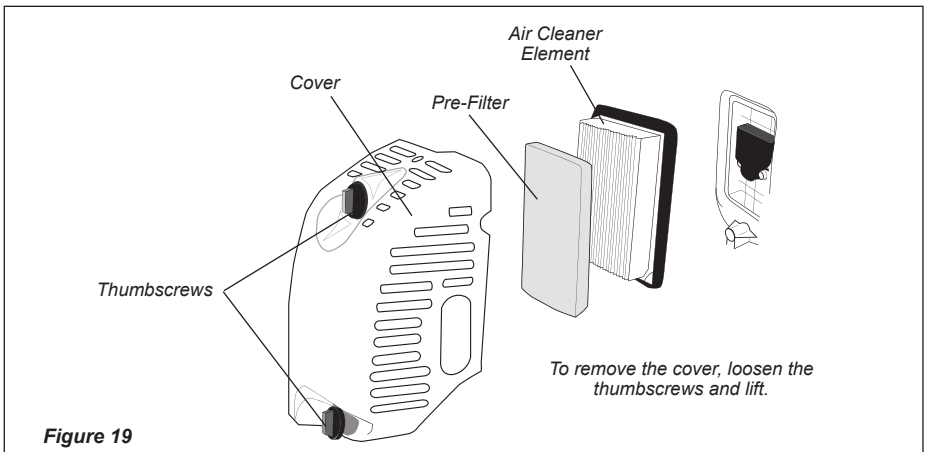


Figure 19

6. Install the filter element, pre-filter and cover in the reverse order of removal.

#### **IMPORTANT!**

Direct the air stream at the inside face of the filter only!

#### **CAUTION!**

Never operate the blower if the air cleaner assembly is damaged or missing!

1. Use the spark plug wrench to remove the spark plug.
2. Clean and adjust the spark plug gap to 0.6mm (0.024"). If the plug must be replaced, use a NGK CMR5H or equivalent type plug of the correct heat range.
3. Install the spark plug finger-tight in the cylinder head, then tighten it firmly with the spark plug wrench. If a torque wrench is available, torque the spark plug to 16.7-18.6 Nm (148-165 inch-pounds).

#### **NOTE:**

The NGK CMR5H also meets the requirements for electro-magnetic compliance (EMC).

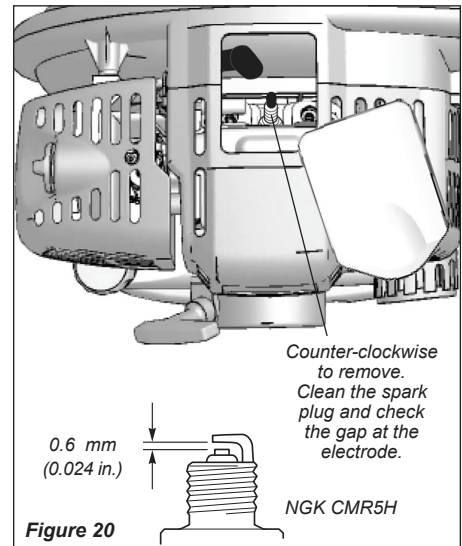


Figure 20

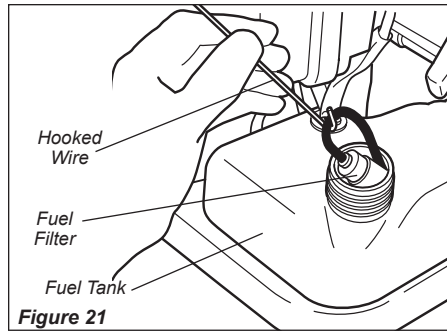
## Maintenance (continued)

### Fuel Filter

- **FUEL FILTER** Use a hooked wire to extract the fuel filter from inside the fuel tank.

#### CAUTION!

Make sure you do not pierce the fuel line with the end of the hooked wire. The line is delicate and can be damaged easily.



- Inspect the filter element for signs of contamination from debris. A contaminated fuel filter should be replaced with a new shindaiwa replacement element. Before reinstalling the filter, inspect the condition of the fuel line. If you note damage or deterioration, the blower should be removed from service until it can be inspected by a shindaiwa-trained service technician.

#### NOTE:

Federal EPA regulations require all model year 2012 and later gasoline powered engines produced for sale in the United States to be equipped with a special low permeation fuel supply hose between the carburetor and fuel tank. When servicing model year 2012 and later equipment, only fuel supply hoses certified by EPA can be used to replace the original equipment supply hose. Fines up to \$37,500 may be enforced for using an un-certified replacement part.

### Muffler(Spark Arrestor)

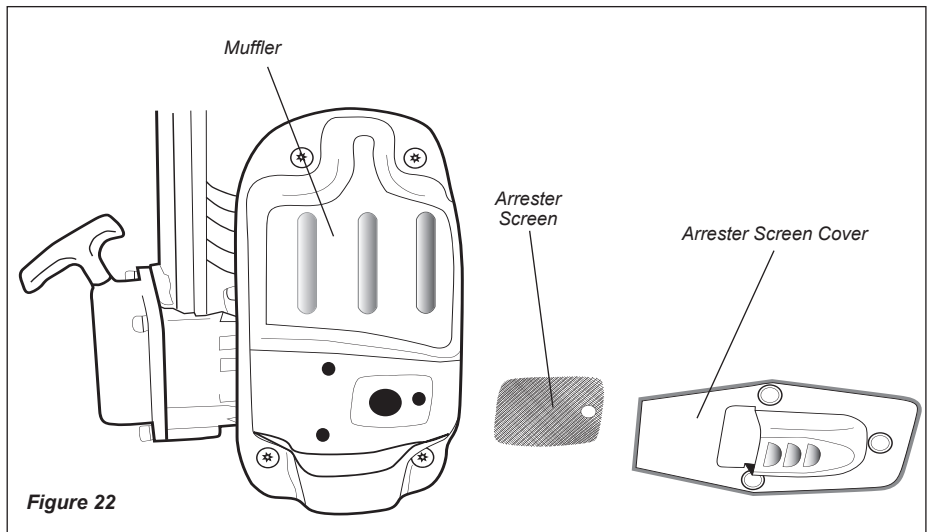


#### WARNING!

Never operate this blower with a damaged or missing muffler or spark arrester! Operating with missing or damaged exhaust components is a fire hazard, and can also damage your hearing!

Hard starting or a gradual loss of performance can be caused by carbon deposits lodged in the spark arrester screen. For maximum performance, the spark arrester screen should be periodically cleaned as follows:

1. Remove engine cover to expose muffler. Remove the spark arrester from the muffler. The arrester is press-fit in place; there are three screws to remove.
2. Use a plastic scraper or wire brush to remove carbon deposits from the arrester screen and wipe clean exhaust base.



3. Inspect the screen carefully, and replace any screen that has been perforated, distorted, or is otherwise unserviceable.
4. Press the spark arrester into the exhaust base.

If carbon accumulation in the muffler or cylinder is severe, or if you do not notice an improvement in performance after servicing, have the unit inspected by an authorized servicing shindaiwa dealer.

### Valve Adjustment

- Combustion chamber should be decarbonized, and the valve clearance should be adjusted. It is highly recommended that this is done by a shindaiwa-trained service technician.

#### IMPORTANT!

The valve clearance should be adjusted. It is highly recommended that this is done by a shindaiwa-trained service technician.



# Carburetor Adjustment

## Engine Break-In

New engines must be operated a minimum duration of two tanks of fuel break-in before carburetor adjustments can be made. During the break-in period your engine performance will increase and exhaust emissions will stabilize. Idle speed can be adjusted as required.

### NOTE:

Every unit is run at the factory and the carburetor is set in compliance with emission regulations. Carburetor adjustments, other than idle speed, must be performed by an authorized shindaiwa dealer.

## High Altitude Operation

This engine has been factory adjusted to maintain satisfactory starting, emission, and durability performance up to 1,100 feet above sea level (ASL) (96.0 kPa). To maintain proper engine operation and emission compliance above 1,100 feet ASL the carburetor may need to be adjusted by an authorized shindaiwa service dealer.

### IMPORTANT!!

If the engine is adjusted for operation *above* 1,100 feet ASL, the carburetor must be re-adjusted when operating the engine *below* 1,100 feet ASL, otherwise severe engine damage may result.

## Adjusting Engine Idle Speed

### IMPORTANT!

A clean and unrestricted airflow is essential to your blower's engine performance and durability! Before attempting any carburetor adjustments, inspect and clean the engine air filter as described in the maintenance section of this manual.

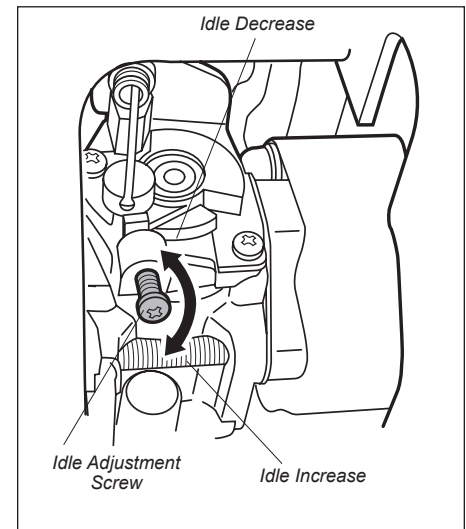
### IMPORTANT!

Blower tubes and the air cleaner must be in place while adjusting engine idle! Engine idle speed will also be affected if the blower tubes are blocked or incorrectly installed!

1. Place the unit on the ground and start the engine, then allow it to idle 2-3 minutes until warm.
2. If a tachometer is available, the engine idle speed should be final adjusted to 2,000 ( $\pm 200$ ) RPM. See Figure 15.

### NOTE:

Carburetor fuel mixture adjustments are preset at factory on units with emission control systems and cannot be serviced in the field.



## Long Term Storage

**Whenever the unit will not be used for 30 days or longer**, use the following procedures to prepare it for storage:

- Clean external parts thoroughly.
- Drain all the fuel from the fuel tank.

### IMPORTANT!

Stored fuel ages. Do not mix more fuel than you expect to use in thirty (30) days, ninety (90) days when a fuel stabilizer is added.

- Remove the remaining fuel from the fuel lines and carburetor.

1. Prime the primer bulb until no more fuel is passing through.
2. Start and run the engine until it stops running.
3. Repeat steps 1 and 2 until the engine will no longer start.

### CAUTION!

Gasoline stored in the carburetor for extended periods can cause hard starting, and could also lead to increased service and maintenance costs.

- Remove the spark plug and pour about 1/4 ounce of engine oil into the cylinder through the spark plug hole. Slowly pull the recoil starter 2 or 3 times so oil will evenly coat the interior of the engine. Reinstall the spark plug.
- Before storing the unit, repair or replace any worn or damaged parts.
- Remove the air cleaner element from the carburetor and clean it thoroughly with soap and water. Let dry and reassemble the element.
- Store the unit in a clean, dust-free area.

# Troubleshooting Guide

## ENGINE DOES NOT START OR HARD TO START

What To Check	Possible Cause	Remedy
Vaporlock.	Engine hot/heat soaked. Low fuel quality.	Let cool completely and restart. Refill with fresh, clean unleaded gasoline with a pump octane of 89 or higher mixed with an air cooled engine oil that meets or exceeds ISO-L-EGD and/or JASO FD classified oils at 50:1 gasoline/oil ratio.
Valve adjustment.	Valve clearance too tight. Valve clearance too loose.	Consult with an authorized shindaiwa servicing dealer. Adjust valves.

## ENGINE DOES NOT START

What To Check	Possible Cause	Remedy
Does the engine crank? YES	NO Faulty recoil starter. Fluid in the crankcase. Internal damage.	Consult with an authorized shindaiwa servicing dealer.
Good compression? YES	NO Loose spark plug. Excess wear on cylinder, piston, rings.	Tighten and re-test. Consult with an authorized shindaiwa servicing dealer.
Does the tank contain fresh fuel of the proper grade? YES	NO Fuel incorrect, stale, or contaminated; mixture incorrect.	Refill with fresh, clean unleaded gasoline with a pump octane of 89 or higher mixed with an air cooled engine oil that meets or exceeds ISO-L-EGD and/or JASO FD classified oils at 50:1 gasoline/oil ratio.
Is fuel visible and moving in the return line when priming? YES	NO Check for clogged fuel filter and/or vent. Priming pump not functioning properly.	Replace fuel filter or vent as required. Re-start. Consult with an authorized shindaiwa servicing dealer.
Is there spark at the spark plug wire terminal? YES	NO The ignition switch is in "O" (OFF) position. Shorted ignition ground. Faulty ignition unit.	Move switch to "I" (ON) position and re-start. Consult with an authorized shindaiwa servicing dealer.
Check the spark plug.	If the plug is wet, excess fuel may be in the cylinder. The plug is fouled or improperly gapped. The plug is damaged internally or of the wrong size.	See "Starting a Flooded Engine" Clean and gap the spark plug. Check the Specifications section for the correct plug and gap for your unit. Restart. Replace the spark plug. Check the Specifications section for the correct plug and gap for your unit. Restart.

## Troubleshooting Guide (continued)

### LOW POWER OUTPUT

What To Check	Possible Cause	Remedy
<b>Is the engine overheating?</b>	Operator is overworking the unit.	Use a lower throttle setting.
	Carburetor mixture is too lean.	Consult with an authorized shindaiwa servicing dealer.
	Improper fuel ratio.	Refill with fresh, clean unleaded gasoline with a pump octane of 89 or higher mixed with an air cooled engine oil that meets or exceeds ISO-L-EGD and/or JASO FD classified oils at 50:1 gasoline/oil ratio.
	Fallen leaves or debris on intake cover.	Clean the intake cover.
	Fan, fan cover, cylinder fins dirty or damaged.	Clean, repair or replace as necessary.
	Carbon deposits on the piston or in the muffler.	Consult with an authorized shindaiwa servicing dealer.
<b>Engine is rough at all speeds. May also have black smoke and/or unburned fuel at the exhaust.</b>	Clogged air cleaner element.	Service the air cleaner element.
	Loose or damaged spark plug.	Tighten or replace the spark plug. Check the <i>Specifications</i> section for the correct plug and gap for your unit.
	Air leakage or clogged fuel line.	Repair or replace fuel filter and/or fuel line.
	Water in the fuel.	Refill with fresh, clean unleaded gasoline with a pump octane of 89 or higher mixed with an air cooled engine oil that meets or exceeds ISO-L-EGD and/or JASO FD classified oils at 50:1 gasoline/oil ratio.
	Piston seizure.	Consult with an authorized shindaiwa servicing dealer.
Faulty carburetor and/or diaphragm.		
<b>Engine is knocking.</b>	Overheating condition.	Consult with an authorized shindaiwa servicing dealer.
	Improper fuel.	Refill with fresh, clean unleaded gasoline with a pump octane of 89 or higher mixed with an air cooled engine oil that meets or exceeds ISO-L-EGD and/or JASO FD classified oils at 50:1 gasoline/oil ratio.
	Carbon deposits in the combustion chamber.	Consult with an authorized shindaiwa servicing dealer.

## Troubleshooting Guide (continued)

### ADDITIONAL PROBLEMS

Symptom	Possible Cause	Remedy
<div style="border: 1px solid black; padding: 5px; width: fit-content;">Poor acceleration.</div>	Clogged air filter.	Clean the air filter.
	Clogged fuel filter.	Replace the fuel filter.
	Lean fuel/air mixture.	Consult with an authorized shindaiwa servicing dealer.
	Idle speed set too low.	Adjust idle. Check <i>Specifications</i> page for correct idle speed.
<div style="border: 1px solid black; padding: 5px; width: fit-content;">Engine stops abruptly.</div>	Ignition switch turned off.	Reset the switch and re-start.
	Fuel tank empty.	Refill with fresh, clean unleaded gasoline with a pump octane of 89 or higher mixed with an air cooled engine oil that meets or exceeds ISO-L-EGD and/or JASO FD classified oils at 50:1 gasoline/oil ratio.
	Water in the fuel.	
	Clogged fuel filter.	Replace fuel filter.
	Shorted spark plug or loose terminal.	Clean or replace spark plug. Check the <i>Specifications</i> section for the correct plug and gap for your unit. Tighten the terminal.
	Ignition failure.	Replace the ignition unit.
	Piston seizure.	Consult with an authorized shindaiwa servicing dealer.
	Heat sensor is activated, due to restricted air flow at intake cover.	Clean debris blocking intake cover. Restart. Idle more than 1 minute. If engine stops again, consult with an authorized shindaiwa servicing dealer.
<div style="border: 1px solid black; padding: 5px; width: fit-content;">Engine difficult to shut off.</div>	Ground (stop) wire is disconnected, or switch is defective.	Test and replace as required.
	Overheating due to incorrect spark plug.	Replace the spark plug. Check the <i>Specifications</i> section for the correct plug and gap for your unit. Restart.
	Overheated engine.	Idle engine until cool.
<div style="border: 1px solid black; padding: 5px; width: fit-content;">Top of engine is getting dirty and oily.</div>	Valve cover is leaking.	Consult with an authorized shindaiwa servicing dealer.
<div style="border: 1px solid black; padding: 5px; width: fit-content;">Engine will not idle down.</div>	Idle set too high.	Adjust idle. Check <i>Specifications</i> page for correct idle speed.
	Engine has an air leak.	Consult with an authorized shindaiwa servicing dealer.
<div style="border: 1px solid black; padding: 5px; width: fit-content;">Excessive vibration.</div>	Debris build-up in impeller.	Clean debris from impeller as required.
	Loose or damaged impeller.	Inspect and replace impeller as required.
	Loose or damaged engine mounts.	Tighten or replace engine mounts as required.
<div style="border: 1px solid black; padding: 5px; width: fit-content;">Engine overspeeding.</div>	Blower intake or discharge ports or tubes are clogged with debris.	Inspect and remove debris.
	Impeller blades are missing or damaged.	Consult with an authorized shindaiwa servicing dealer.

**SHINDAIWA LIMITED WARRANTY STATEMENT FOR  
PRODUCT SOLD IN USA AND CANADA BEGINNING 01/01/2013**

**ECHO, INC'S RESPONSIBILITY**

ECHO Incorporated's (ECHO, INC.) Limited Warranty, provides to the original purchaser that this Shindaiwa product is free from defects in material and workmanship. Under normal use and maintenance from date of purchase, ECHO, INC. agrees to repair or replace at it's discretion, any defective product free of charge at any authorized Shindaiwa servicing dealer within listed below application time periods, limitations and exclusions. **THIS LIMITED WARRANTY IS ONLY APPLICABLE TO SHINDAIWA PRODUCTS SOLD BY AUTHORIZED SHINDAIWA DEALERS. IT IS EXTENDED TO THE ORIGINAL PURCHASER ONLY, AND IS NOT TRANSFERABLE TO SUBSEQUENT OWNERS EXCEPT FOR EMISSION RELATED PARTS.** Repair parts and accessories replaced under this warranty are warranted only for the balance of the original unit or accessory warranty period. Any damage caused by improper installation or improper maintenance is not covered by this warranty. All parts or products replaced under warranty become the property of ECHO, INC. This warranty is separate from the Emission control warranty statement supplied with your new product. Please consult the Emission Control Warranty Statement for details regarding emission related parts. For a list of Authorized Shindaiwa Dealers refer to [WWW.SHINDAIWA.COM](http://WWW.SHINDAIWA.COM) or call **1-877-986-7783**.

**OWNER'S RESPONSIBILITY**

To ensure trouble free warranty coverage it is important that you register your Shindaiwa equipment on-line at [WWW.SHINDAIWA.COM](http://WWW.SHINDAIWA.COM) or by filling out the warranty registration card supplied with your unit. Registering your product confirms your warranty coverage and provides a direct link if we find it necessary to contact you.

The owner shall demonstrate reasonable care and use, and follow preventative maintenance, storage, fuel and oil usage as prescribed in the operator's manual. Should a product difficulty occur, you must, at your expense, deliver or ship your Shindaiwa unit to an authorized Shindaiwa servicing dealer for warranty repairs (within the applicable warranty period), and arrange for pick-up or return of your unit after the repairs have been made. For your nearest authorized Shindaiwa servicing dealer, call Shindaiwa's Dealer Referral Center, at 1-877-986-7783 or you can locate a Shindaiwa servicing dealer at [WWW.SHINDAIWA.COM](http://WWW.SHINDAIWA.COM). Should you require assistance or have questions concerning Shindaiwa's Warranty Statement, you can contact our Consumer Product Support Department at 1-800-673-1558 or contact us through the web at [WWW.SHINDAIWA.COM](http://WWW.SHINDAIWA.COM).

**PRODUCT WARRANTY PERIOD**

**RESIDENTIAL APPLICATION**

- **5 YEAR WARRANTY** - Units for residential, or non-income producing use will be covered by this limited warranty for five (5) years from date of purchase.

**EXCEPTIONS:**

- For engine powered products, the electronic ignition module, flexible drive cable, and solid drive shaft are warranted for the life\* of the product on parts only.
- Cutting attachments such as, but not limited to, bars, chains, sprockets, tines, blades, PowerBroom™, belts, and nylon trimmer heads for residential or non-income producing use will be covered for failures due to defects in material or workmanship for a period of 60 days from original product purchase date. Any misuse from contact with concrete, rocks, or other structures is not covered by this warranty.
- Multipurpose Tool Attachments carry the same warranty duration as the units they are designed to fit.

**COMMERCIAL APPLICATION**

- **90 DAY WARRANTY** - All Chain Saws and Cut-Off Saws for commercial, institutional, agricultural, industrial, or income producing use will be covered by this limited warranty for 90 Days from the date of purchase.
- **2 YEAR WARRANTY** - Units for commercial, institutional, agricultural, industrial, or income producing use will be covered by this limited warranty for two (2) years from the date of purchase.

**EXCEPTIONS:**

- For engine powered products, the electronic ignition module, flexible drive cables, and solid drive shafts are warranted for the life\* of the product on parts only.
- Cutting attachments such as, but not limited to, bars, chains, sprockets, tines, blades, PowerBroom™, belts, and nylon trimmer heads for commercial, institutional, agricultural, industrial, rental, or income producing will be covered for failures due to defects in material or workmanship for a period of 30 days from original product purchase date. Any misuse from contact with concrete, rocks, or other structures is not covered by this warranty.
- Multipurpose Tool Attachments carry the same warranty duration as the units they are designed to fit.

**RENTAL APPLICATION - 90 DAYS WARRANTY**

- Units for rental use will be covered against defects in material and workmanship for a period of 90 days from the date of purchase.

\* ECHO INC's liability under the "Lifetime" coverage is limited to furnishing parts specified under the PRODUCT Warranty PERIOD section of this warranty statement for "Life" free of charge for a period of ten (10) years after the date of the complete unit's final production.

## **PURCHASED REPAIR PARTS AND ACCESSORIES**

- 90-day all applications

## **ATTENTION ENGINE POWERED PRODUCT OWNERS**

This Shindaiwa engine powered product is a quality-engineered unit which has been manufactured to exact tolerances to provide superior performance. To help ensure the performance of the unit, it is required to use engine oil which meets the ISO-L-EGD Standard per ISO/CD 13738 and JASO M345/FD Standards. Shindaiwa Red Armor™ and Shindaiwa One™ are a premium engine oil specifically formulated to meet ISO-L-EGD (ISO/CD 13738) and JASO M345/FD Standards. The use of engine oils designed for other applications, such as for outboard motors or lawnmowers can result in severe engine damage, and will void your engine limited warranty.

### **THIS WARRANTY DOES NOT COVER DAMAGE CAUSED BY:**

- Lack of lubrication or engine failure, due to the use of engine oils that do not meet the ISO-L-EGD (ISO/CD 13738) and JASO M345/FD Standards. Shindaiwa Red Armor™ and Shindaiwa One™ Engine Oil meets the ISO-L-EGD and JASO M345/FD Standard. Emission related parts are covered for 5 years residential or 2 years commercial use regardless of two-stroke oil used, per the statement listed in the EPA or California Emission Control Warranty Explanation.
- Damage caused by use of gasohol, containing methanol (wood alcohol), or gasoline containing less than 89 octane. Only use gasoline which contains 89 octane or higher. Gasohol which contains a maximum 10% ethanol (grain alcohol) or 15% MTBE (methyl/tertiary/butyl/ether) is also approved. The prescribed mixing ratio of gasoline to oil is listed on the Shindaiwa oil label and covered in your operator's manual.
- Engine damage caused by use of ether or any starting fluids.
- Damage caused by tampering with engine speed governor or emission components, or running engines above specified and recommended engine speeds as listed in your operator's manual.
- Operation of the unit with improperly maintained/removed cutting shield or removed/damaged air filter.
- Damage caused by dirt, pressure or steam cleaning the unit, salt water, corrosion, rust, varnish, abrasives, and moisture.
- Defects, malfunctions or failures resulting from abuse, misuse, neglect, modifications, alterations, normal wear, improper servicing, or use of unauthorized attachments.
- Incorrect storage procedures, stale fuel, including failure to provide or perform required maintenance services as prescribed in the operator's manual. Preventative maintenance as outlined in the operator's manual is the customer's responsibility.
- Failures due to improper set-up, pre-delivery service or repair service by anyone other than authorized Shindaiwa servicing dealer during the warranty period.
- Certain parts and other items are not warranted, including but not limited to: lubricants, starter cords, and engine tune-ups.
- Use of spark plugs other than those meeting performance and durability requirements of the OEM spark plug listed in the Operator's Manuals.
- Overheating or carbon scoring failures due to restricted, clogged exhaust port or combustion chamber, including damage to spark arrester screen.
- Adjustments after the first (30) thirty days and beyond, such as carburetor adjustment and throttle cable adjustment.
- Damage to gears or gear cases caused by contaminated grease or oil, use of incorrect type or viscosity of lubricants, and/or failure to comply with recommended grease or oil change intervals.
- Damage caused by pump or sprayer running dry, pumping or spraying caustic or flammable materials, or lack of or broken strainers.
- Additional damage to parts or components due to continued use after operational problem or failure occurs. Should operational problem or failure occur, the product should not be used, but delivered as is to an authorized Shindaiwa servicing dealer.

It is a dealer's and/or customer's responsibility to complete and return the warranty registration card supplied with your Shindaiwa product or by visiting [WWW.SHINDAIWA.COM](http://WWW.SHINDAIWA.COM). Your receipt of purchase including date, model and serial number must be maintained and presented to an authorized Shindaiwa servicing dealer for warranty service. Proof of purchase rests solely with the customer. Some states do not allow limitations on how long an implied warranty lasts, so the above limitations may not apply to you. Some states do not allow the exclusion or limitation of incidental or consequential damages, so you may also have other specific legal rights which vary from state to state. This limited warranty is given by ECHO Incorporated, 400 Oakwood Rd., Lake Zurich, IL 60047.

### **DISCLAIMER OF IMPLIED WARRANTIES**

This limited warranty is in lieu of all other expressed or implied warranties, including any warranty of FITNESS FOR A PARTICULAR PURPOSE OR USE and any implied warranty of **MERCHANTABILITY** otherwise applicable to this product. ECHO, INC. and its affiliated companies shall not be liable for any special incidental or consequential damage, including lost profits. There are no warranties extended other than as provided herein. This limited warranty may be modified only by ECHO, INC.

**X7561120400**  
**10/12**



## Servicing Information

### Parts/Serial Number

Genuine shindaiwa Parts and Assemblies for your shindaiwa products are available only from an Authorized shindaiwa Dealer. When you do need to buy parts **always** have the Model Number, Type and Serial Number of the unit with you. You can find these numbers on the engine. For future reference, write them in the space provided below.

Model No. \_\_\_\_\_ Type \_\_\_\_\_ SN. \_\_\_\_\_

### Service

Service of this product during the warranty period must be performed by an Authorized shindaiwa Service Dealer. For the name and address of the Authorized shindaiwa Service Dealer nearest you, ask your retailer or call: 1-877-986-7783. Dealer information is also available on WWW.SHINDAIWA.COM. When presenting your unit for Warranty service/repairs, proof of purchase is required.

### Consumer Product Support

If you require assistance or have questions concerning the application, operation or maintenance of this product you may call the shindaiwa Consumer Product Support Department at 1-877-986-7783 from 8:30 am to 4:30 pm (Central Standard Time) Monday through Friday. Before calling, please know the model and serial number of your unit.

### Warranty Registration

To ensure trouble free warranty coverage it is important that you register your shindaiwa equipment by filling out the warranty registration card supplied with your unit. Registering your product confirms your warranty coverage and provides a direct link if we find it necessary to contact you.

### Additional or Replacement Manuals

**Replacement Operator and Parts Catalogs** are available from your shindaiwa dealer or at WWW.SHINDAIWA.COM or by contacting the Consumer Product Support Department (1-877-986-7783). Always check WWW.SHINDAIWA.COM for updated information.

# shindaiwa®

ECHO Incorporated.  
400 Oakwood Road  
Lake Zurich, IL 60047-1564 U.S.A.  
Telephone: 1-877-986-7783  
Fax: 1-847-540-8416  
www.shindaiwa.com

Yamabiko Corporation  
7-2 Suehirocho 1-Chome, Ohme,  
Tokyo, 198-8760, Japan  
Phone: 81-428-32-6118  
Fax: 81-428-32-6145

T14211001001/T14211999999

T14112001001/T14112999999

(RT) T14511001001/T14511999999

(RT) T14412001001/T14412999999

Copyright© 2010 By Echo, Incorporated  
All Rights Reserved.